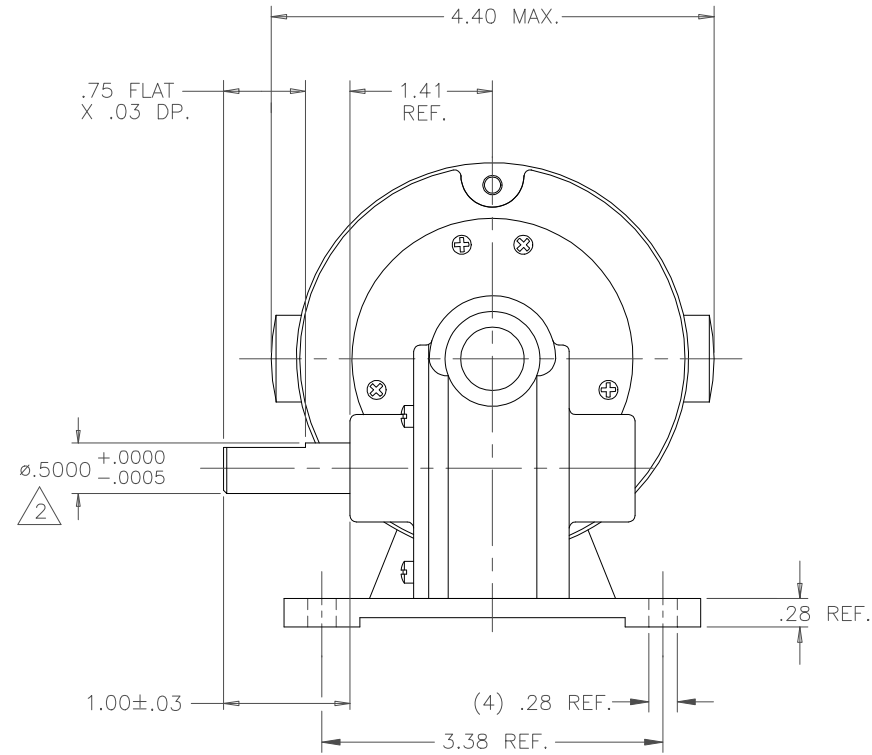
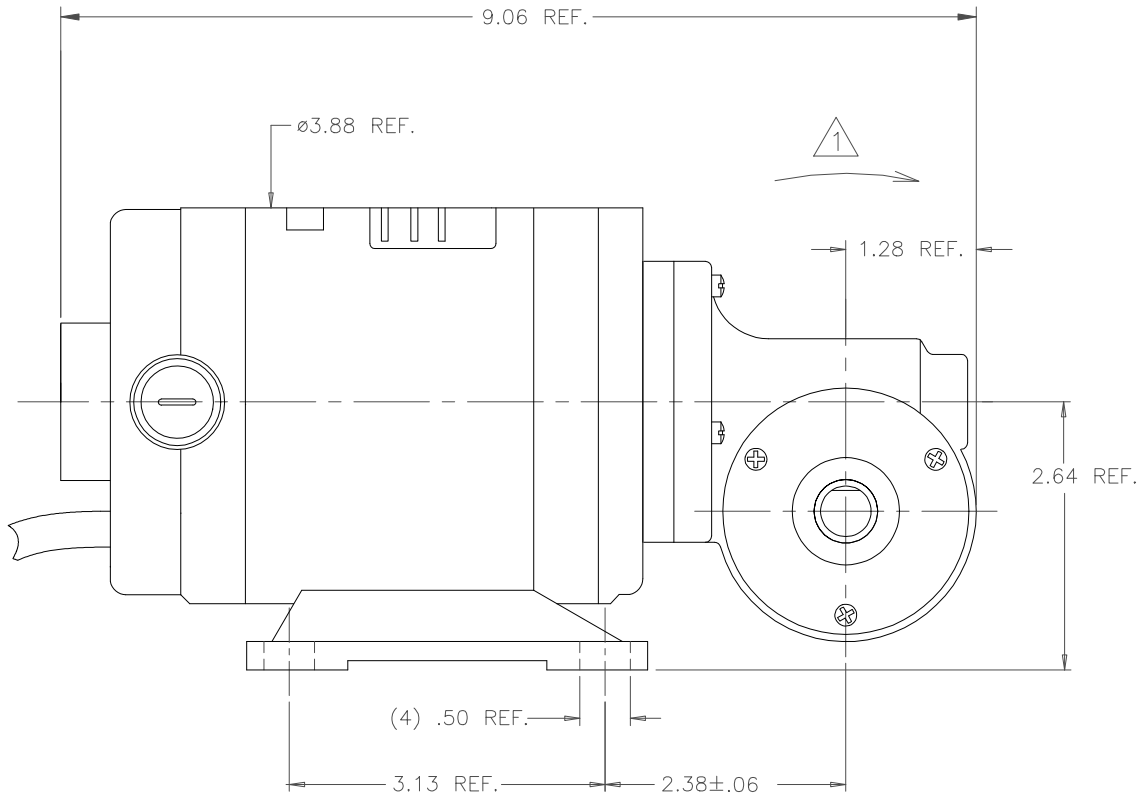


ISS.	REVISION	DATE
4	REDRAWN IN CAD. ADDED PAGE 3. ECO2092	5-22-02 RCS
5	SEE PAGE 3 ECO2221	12-3-02 RCS
6	SEE PAGE 3 ECO2991	12-16-11 KLM
7	SEE PAGE 3 ECO3023	2-16-12 KRS
8	NP2-504 WAS NP2-503 ECO3071	6-20-12 RKG



CARTER MOTOR CO.  
400 S RAILROAD ST  
WARREN, IL 61087

TITLE:  
GEAR MOTOR, SHUNT

THIS DRAWING COVERS A PROPRIETARY ITEM AND IS THE PROPERTY OF  
CARTER MOTOR CO. THIS DRAWING IS NOT TO BE COPIED OR USED WITHOUT  
APPROVAL OF CARTER MOTOR CO.

TOLERANCES UNLESS OTHERWISE SPECIFIED		MAT'L:
DECIMAL DIMS		RELEASE NO: ECO-794
TWO PLACE X.XX =	±.01	REPLACES:
THREE PLACE X.XXX =	±.005	SCALE: 1:1
FRACTIONS =	±.015	
ANGLES =	±1°	

DWN: RCS	DATE: 5-22-02
CHKD: PLE	DATE: 5-22-02
MFG: KEG	DATE: 5-22-02
APPD: PLE	DATE: 5-22-02

DO NOT SCALE DRAWING-WORK TO DIMENSIONS SHOWN

CARTER NUMBER MSB9005B5