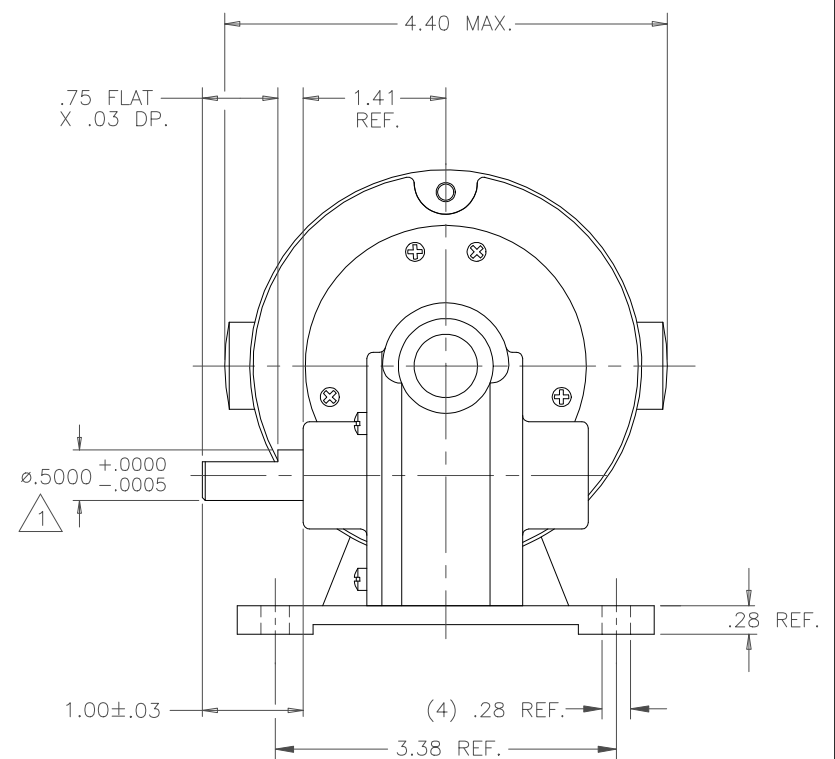
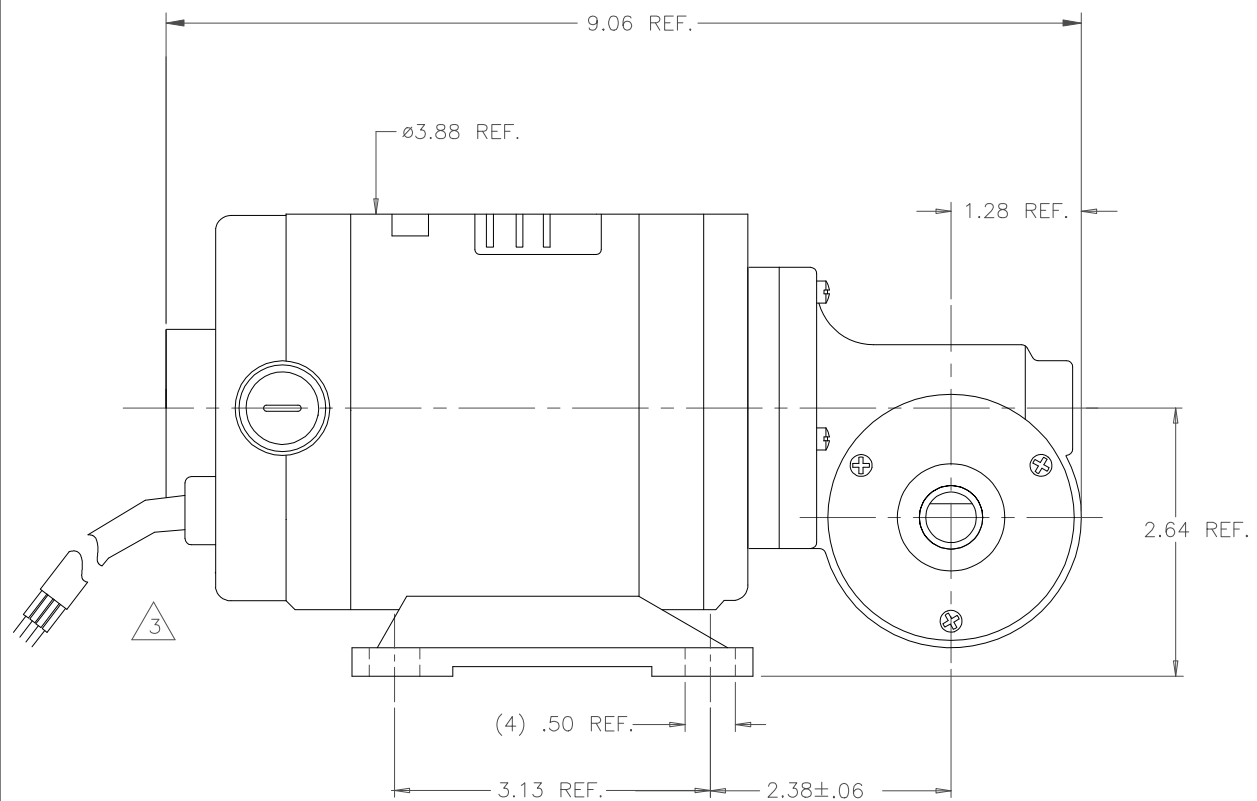


ISS.	REVISION	DATE	ISS.	REVISION	DATE
6	SEE PAGE 3 ECO2221	12-3-02 RCS	1	RELEASED ECO1101	2-22-99 RCS
7	SEE PAGE 3 ECO2417	11-20-03 RCS	2	9.06 REF. WAS 9.56 MAX.	7-18-00 RCS
8	SEE PAGE 3 ENGINEERING	04-05-05 MAC	3	SEE PAGE 2	4-10-01 RCS
9	SEE PAGE 3 ECO2991	12-15-11 KLM	4	2.64 TO TOP OF BASE FOOT WAS 2.63 TO BOTTOM OF BASE FOOT. ECO1669	8-13-01 RCS
10	SEE PAGE 3 ECO3023	2-16-12 KRS	5	ADDED PAGE 3 ECO2092	5-20-02 RCS
11	NP2-504 WAS NP2-503 ECO3071	6-20-12 RKG			



GLAS-COL



CARTER MOTOR CO.  
400 S RAILROAD ST  
WARREN, IL 61087

TITLE:  
GEAR MOTOR, SHUNT

THIS DRAWING COVERS A PROPRIETARY ITEM AND IS THE PROPERTY OF  
CARTER MOTOR CO. THIS DRAWING IS NOT TO BE COPIED OR USED WITHOUT  
APPROVAL OF CARTER MOTOR CO.

TOLERANCES UNLESS OTHERWISE SPECIFIED	MAT'L:
DECIMAL DIMS	RELEASE NO: ECO1101
TWO PLACE X.XX = ±.01	REPLACES:
THREE PLACE X.XXX = ±.005	SCALE: 1:1
FRACTIONS = ±.015	
ANGLES = ±1°	

DWN: RCS	DATE: 2-22-99
CHKD: RFA	DATE: 2-23-99
MFG: KEG	DATE: 2-24-99
APPD: RFA	DATE: 2-25-99

DO NOT SCALE DRAWING-WORK TO DIMENSIONS SHOWN

CARTER NUMBER MSB0918E5