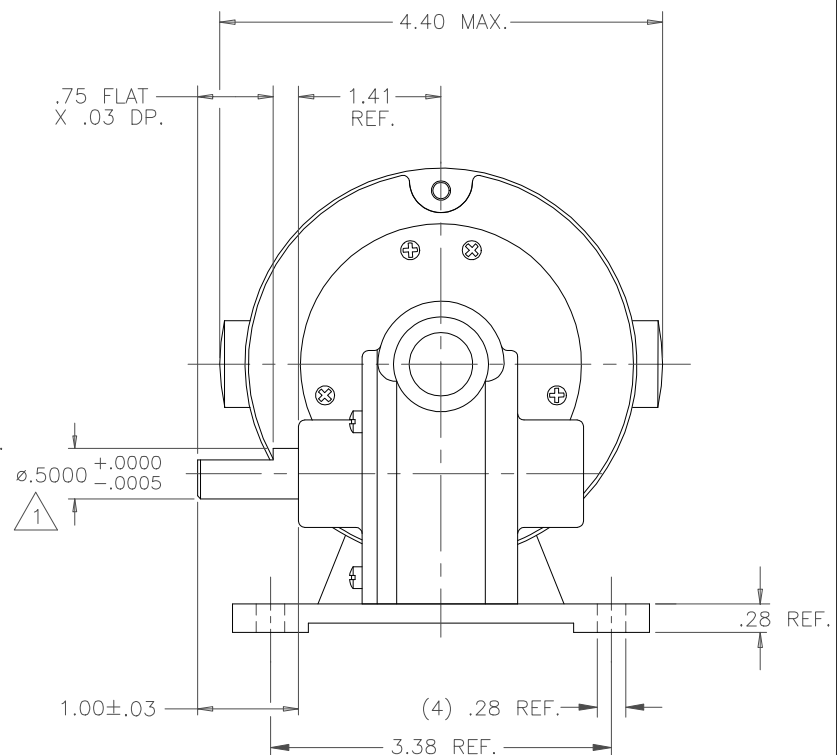
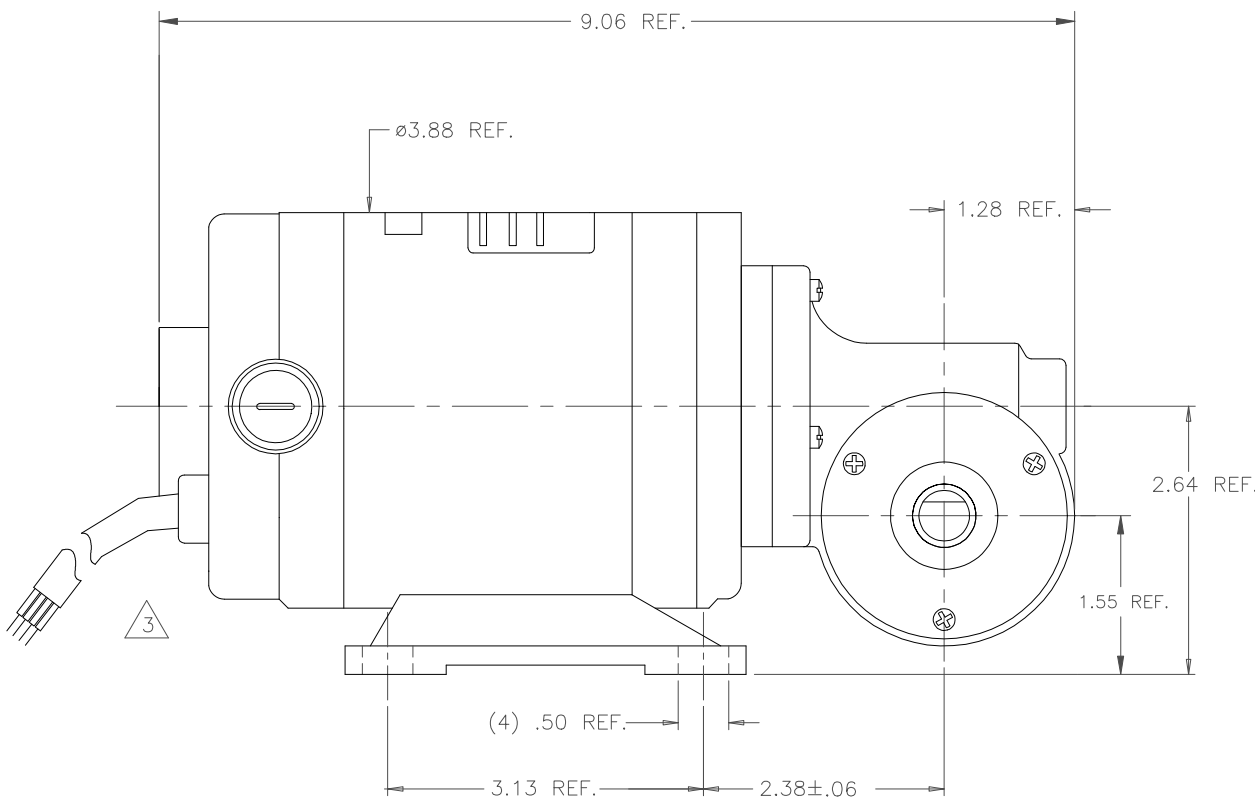


ISS.	REVISION	DATE
6	SEE PAGE 3 ECO2221	12-3-02 RCS
7	SEE PAGE 3 ECO2417	11-20-03 RCS
8	SEE PAGE 3 ECO2991	12-15-11 KLM
9	SEE PAGE 3 ECO3023	2-16-12 KRS
10	NP2-504 WAS NP2-503 ECO3071	6-20-12 RKG

ISS.	REVISION	DATE
1	RELEASED ECO1349	4-26-00 RCS
2	9.06 REF. WAS 9.56 MAX.	7-18-00 RCS
3	ADDED 1.55 REF. ECO1641	7-25-01 RCS
4	2.64 BOTTOM OF BASE FOOT WAS 2.63 TO TOP OF BASE FOOT. ECO1673	8-13-01 RCS
5	ADDED PAGE 3 ECO2050	4-29-02 RCS



CARTER MOTOR CO.  
400 S RAILROAD ST  
WARREN, IL 61087

THIS DRAWING COVERS A PROPRIETARY ITEM AND IS THE PROPERTY OF CARTER MOTOR CO. THIS DRAWING IS NOT TO BE COPIED OR USED WITHOUT APPROVAL OF CARTER MOTOR CO.

TOLERANCES UNLESS OTHERWISE SPECIFIED		MAT'L:
DECIMAL DIMS		RELEASE NO: ECO1349
TWO PLACE X.XX =	±.01	REPLACES:
THREE PLACE X.XXX =	±.005	SCALE: 1:1
FRACTIONS =	±.015	
ANGLES =	±1°	

DO NOT SCALE DRAWING—WORK TO DIMENSIONS SHOWN

TITLE:  
GEAR MOTOR, SHUNT

DWN: RCS	DATE: 4-26-00
CHKD: RFA	DATE: 4-27-00
MFG: KEG	DATE: 5-1-00
APPD: RFA	DATE: 5-1-00

CARTER NUMBER MSB0621F5