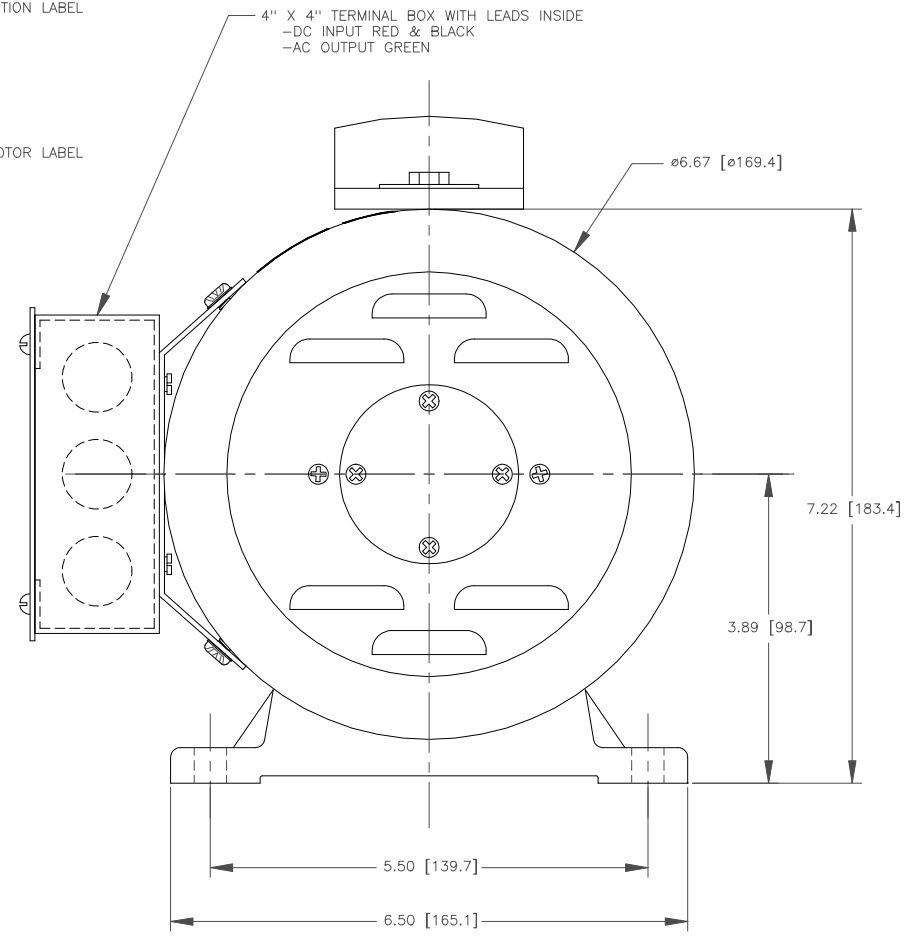
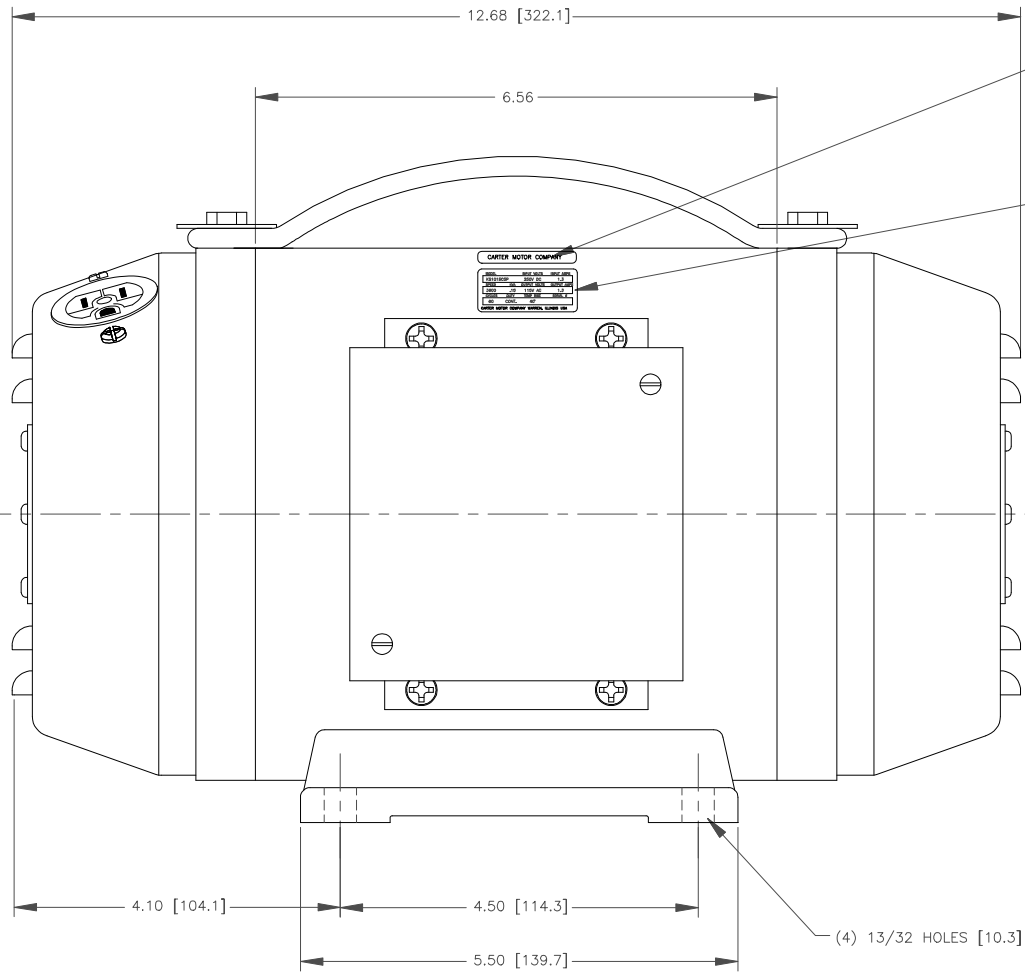


ISS.	REVISION	DATE
1	RELEASE ECO2963	8-9-11 KLM
2	NP2-504 WAS NP2-503 ECO3071	8-20-12 RKG
3	LOGO UPDATE REV REVIEW ECO3178	11/9/15 RD JK



**CARTER MOTOR COMPANY**  
 CARTER MOTOR CO.  
 400 S. Railroad St.  
 WARREN, IL 61087

THIS DRAWING COVERS A PROPRIETARY ITEM AND IS THE PROPERTY OF CARTER MOTOR CO. THIS DRAWING IS NOT TO BE COPIED OR USED WITHOUT APPROVAL OF CARTER MOTOR CO.

TOLERANCES UNLESS OTHERWISE SPECIFIED		MATERIAL	
DECIMAL DIMS		RELEASE NO:	ECO2963
TWO PLACE X.XX =	±.01	REPLACES:	
THREE PLACE X.XXX =	±.005	SCALE:	NONE
FRACTIONS =	±.015		
ANGLES =	±1°		

DO NOT SCALE DRAWING—WORK TO DIMENSIONS SHOWN

TITLE: 500W CONVERTER 4X4 BOX & RECEPTACLE	
DWN: KLM	DATE: 08-09-11
CHKD:	DATE:
MFG:	DATE:
APPD:	DATE:
CARTER NUMBER	KS2050CP