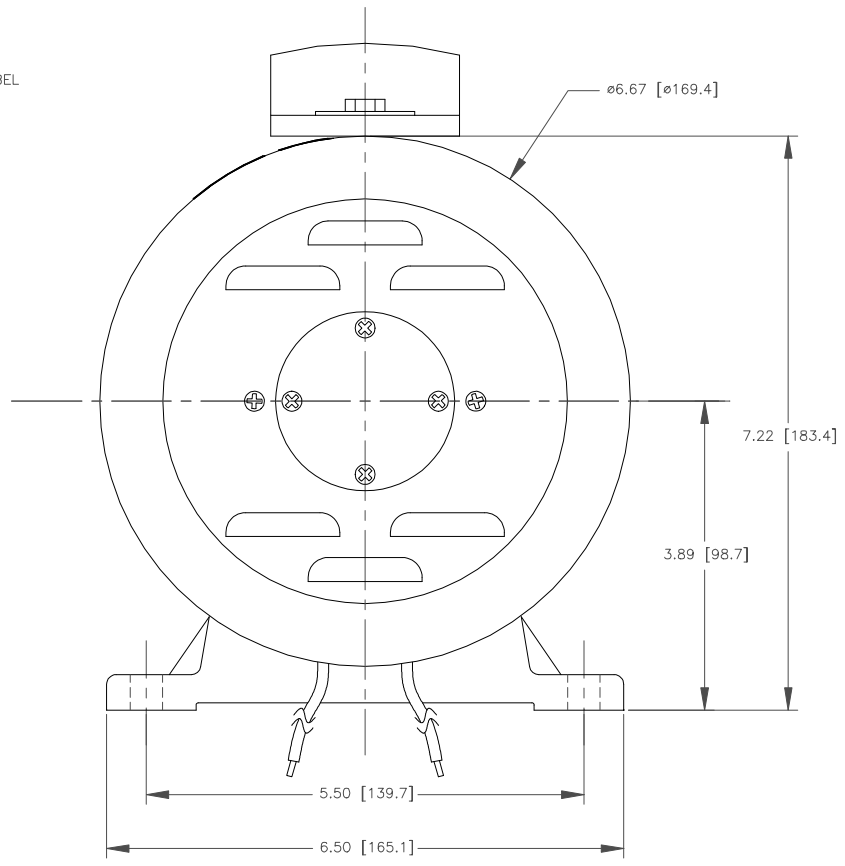
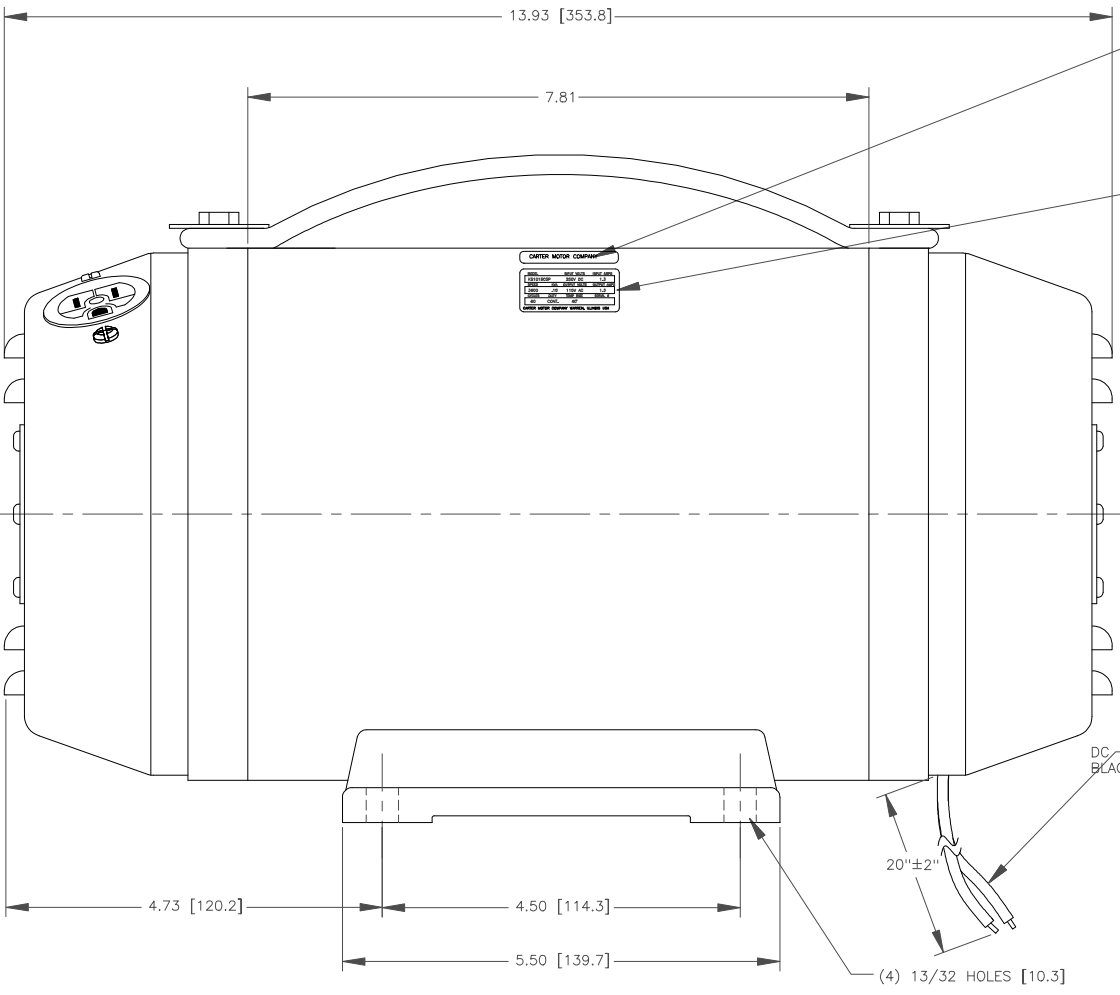


ISS.	REVISION	DATE
1	RELEASE ECO2963	8-11-11 KLM
2	NP2-504 WAS NP2-503 ECO3071	6-20-12 RKG
3	SEE PAGE 3 ECO3221	8-20-17 RD



THIS DRAWING COVERS A PROPRIETARY ITEM AND IS THE PROPERTY OF CARTER MOTOR CO. THIS DRAWING IS NOT TO BE COPIED OR USED WITHOUT APPROVAL OF CARTER MOTOR CO.

TOLERANCES UNLESS OTHERWISE SPECIFIED		MAT'L:
DECIMAL DIMS		RELEASE NO: ECO2963
TWO PLACE X.XX =	±.01	REPLACES:
THREE PLACE X.XXX =	±.005	SCALE: NONE
FRACTIONS =	±.015	
ANGLES =	±1°	

DO NOT SCALE DRAWING—WORK TO DIMENSIONS SHOWN

**CARTER MOTOR COMPANY**  
 400 S. Railroad St.  
 WARREN, IL 61087

TITLE: 750W CONVERTER  
 DC LEADS & RECEPTACLE

DWN: KLM	DATE: 08-11-11
CHKD:	DATE:
MFG:	DATE:
APPD:	DATE:

CARTER NUMBER: KS1075CP-3