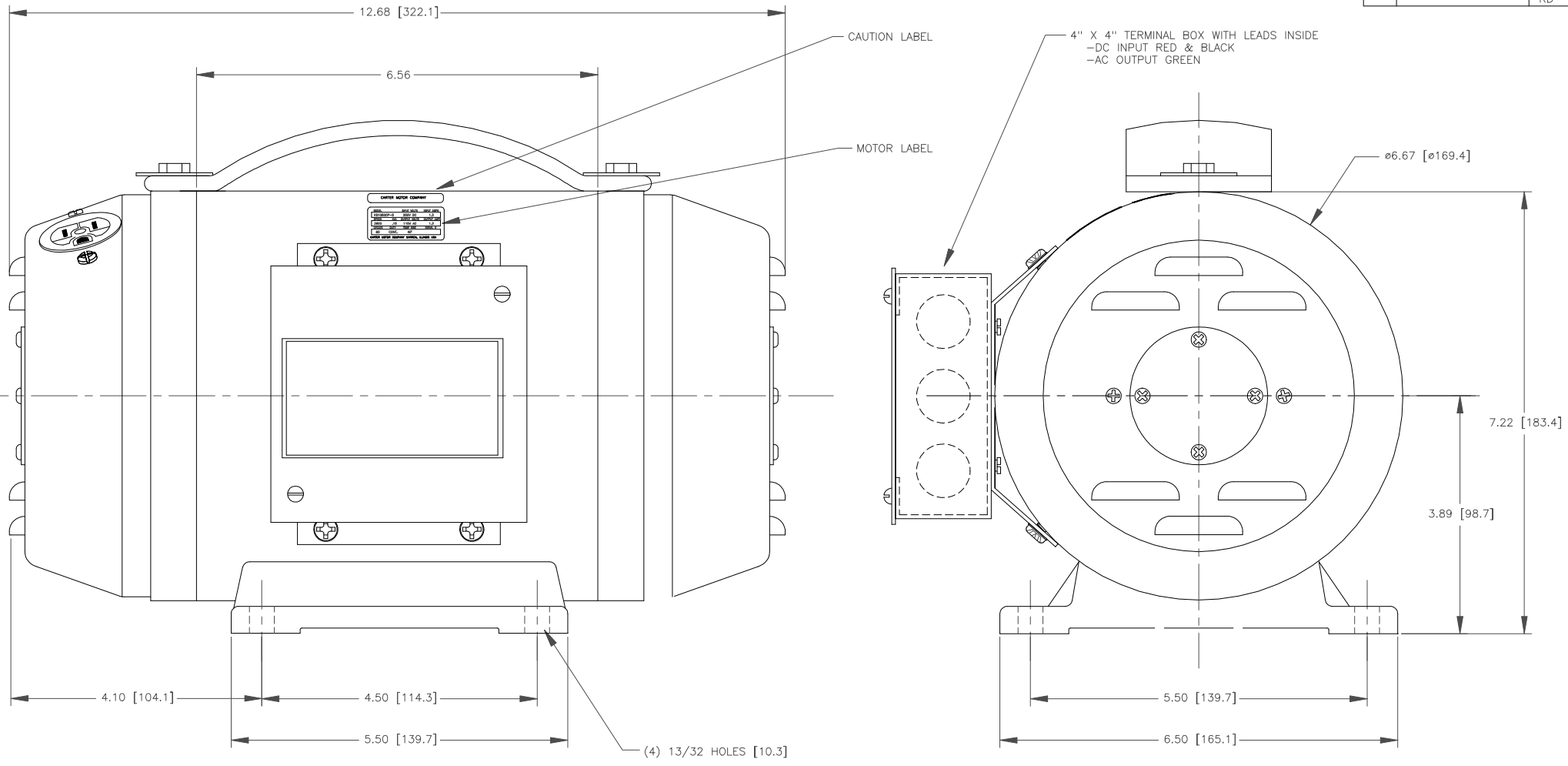


ISS.	REVISION	DATE
1	RELEASE ECO2963	8-11-11 KLM
2	NP2-504 WAS NP2-503 ECO3071	6-20-12 RKG
3	ECO3227-Create dwgs	12-1-17 RD



THIS DRAWING COVERS A PROPRIETARY ITEM AND IS THE PROPERTY OF CARTER MOTOR CO. THIS DRAWING IS NOT TO BE COPIED OR USED WITHOUT APPROVAL OF CARTER MOTOR CO.

TOLERANCES UNLESS OTHERWISE SPECIFIED		MAT'L:
DECIMAL DIMS		RELEASE NO: ECO2963
TWO PLACE X.XX =	±.01	REPLACES:
THREE PLACE X.XXX =	±.005	SCALE: NONE
FRACTIONS =	±.015	
ANGLES =	±1°	

DO NOT SCALE DRAWING-WORK TO DIMENSIONS SHOWN

TITLE: 500W CONVERTER DC LEADS & RECEPTACLE	
DWN: KLM	DATE: 08-11-11
CHKD:	DATE:
MFG:	DATE:
APPD:	DATE:
CARTER NUMBER	