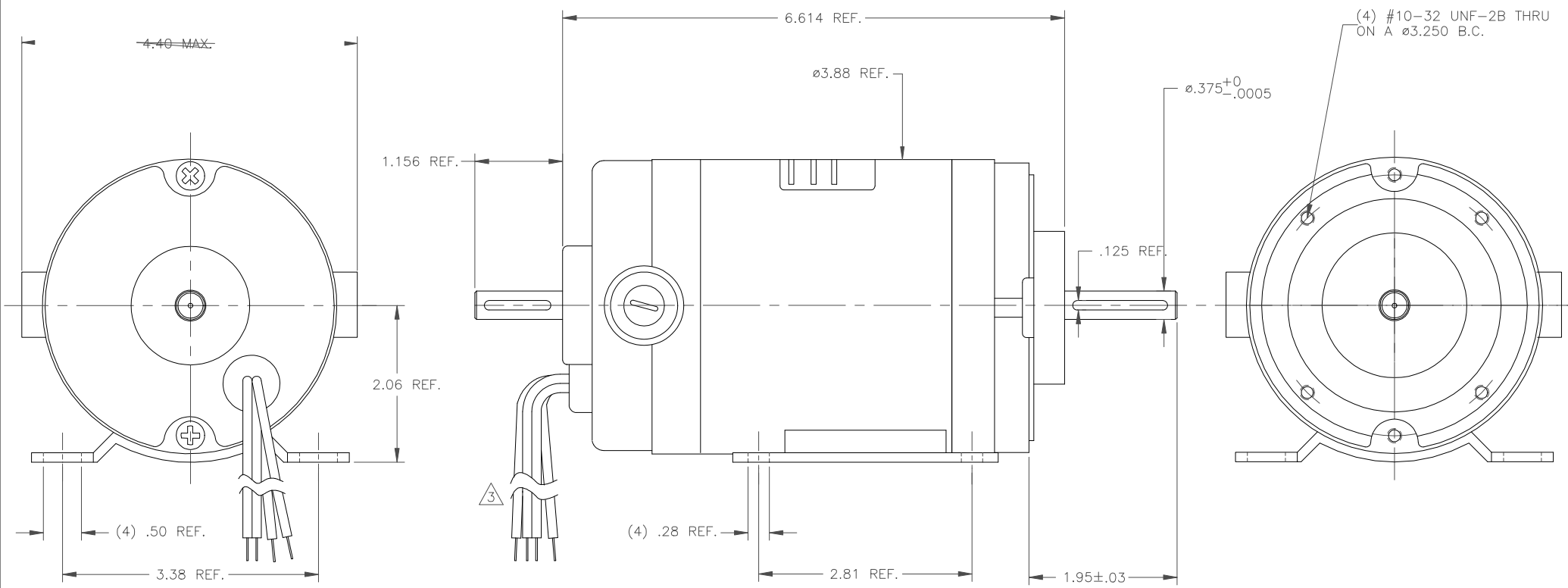


ISS.	REVISION	DATE
1	RELEASED ECO2586	3-8-11 FJP
2	BR3-188 WAS BR3-196 ECO2991	12-15-11 KLM
3	NP2-504 WAS NP2-503 ECO3071	6-20-12 RKG



**CARTER MOTOR COMPANY**  
 CARTER MOTOR CO.  
 400 S RAILROAD ST  
 WARREN, IL 61087

THIS DRAWING COVERS A PROPRIETARY ITEM AND IS THE PROPERTY OF CARTER MOTOR CO. THIS DRAWING IS NOT TO BE COPIED OR USED WITHOUT APPROVAL OF CARTER MOTOR CO.

TITLE: MOTOR, SHUNT

TOLERANCES UNLESS OTHERWISE SPECIFIED		MAT'L:	
DECIMAL DIMS		RELEASE NO:	ECO2586
TWO PLACE X.XX =	±.01	REPLACES:	
THREE PLACE X.XXX =	±.005	SCALE:	1:1
FRACTIONS =	±.015		
ANGLES =	±1°		

DWN:	FJP	DATE:	3-8-11
CHKD:		DATE:	
MFG:		DATE:	
APPD:		DATE:	
CARTER NUMBER	KMSC3604BB		

DO NOT SCALE DRAWING—WORK TO DIMENSIONS SHOWN