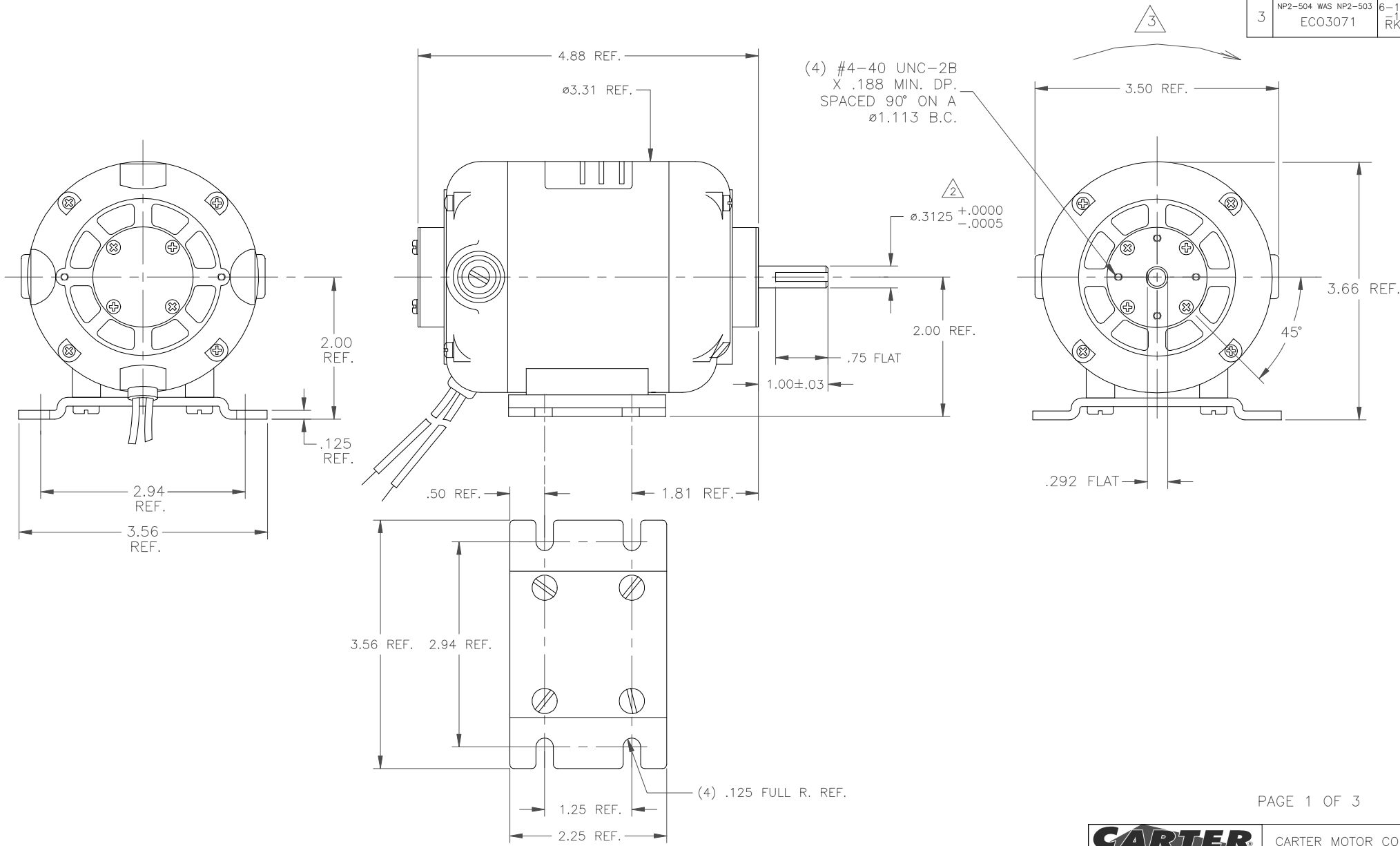


ISS.	REVISION	DATE
1	RELEASED ECO2515	8-10-04 MAC
2	SEE PAGE 3 ECO2557	04-07-05 MAC
3	NP2-504 WAS NP2-503 ECO3071	6-18-12 RKG



CARTER MOTOR CO.
400 S RAILROAD ST
WARREN, IL 61087

TITLE: MOTOR, UNIVERSAL

DWN: MAC	DATE: 08-10-04
CHKD: FJP	DATE: 08-11-04
MFG: FJP	DATE: 08-11-04
APPD: KEG	DATE: 08-11-04

THIS DRAWING COVERS A PROPRIETARY ITEM AND IS THE PROPERTY OF CARTER MOTOR CO. THIS DRAWING IS NOT TO BE COPIED OR USED WITHOUT APPROVAL OF CARTER MOTOR CO.

TOLERANCES UNLESS OTHERWISE SPECIFIED		MAT'L:
DECIMAL DIMS		RELEASE NO: ECO2515
TWO PLACE X.XX =	±.01	REPLACES:
THREE PLACE X.XXX =	±.005	SCALE: NONE
FRACTIONS =	±.015	
ANGLES =	±1°	

DO NOT SCALE DRAWING—WORK TO DIMENSIONS SHOWN

CARTER NUMBER CUB1007R-1