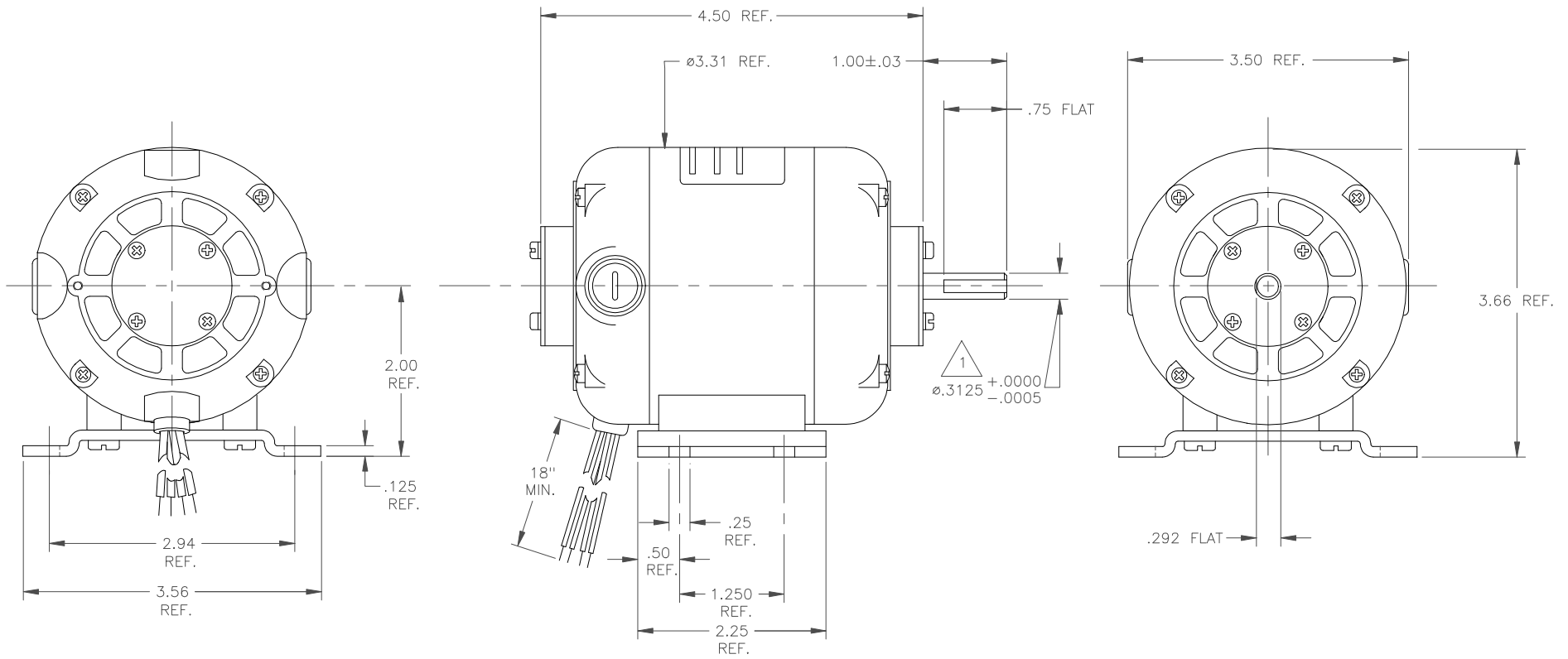


ISS.	REVISION	DATE
1	RELEASED ECO2118	6-11-02 RCS
2	SEE PAGE 3 ECO2353	7-23-03 RCS
3	SEE PAGE 2 KEG	09-09-05 MAC
4	NP2-504 WAS NP2-503 ECO3071	6-13-12 RKG



CARTER MOTOR CO.
400 S RAILROAD ST
WARREN, IL 61087

THIS DRAWING COVERS A PROPRIETARY ITEM AND IS THE PROPERTY OF CARTER MOTOR CO. THIS DRAWING IS NOT TO BE COPIED OR USED WITHOUT APPROVAL OF CARTER MOTOR CO.

TOLERANCES UNLESS OTHERWISE SPECIFIED		MAT'L:
DECIMAL DIMS		RELEASE NO: ECO2118
TWO PLACE X.XX =	±.01	REPLACES:
THREE PLACE X.XXX =	±.005	SCALE: 1:1
FRACTIONS =	±.015	
ANGLES =	±1°	

DO NOT SCALE DRAWING—WORK TO DIMENSIONS SHOWN

TITLE: MOTOR, UNIVERSAL

DWN: RCS	DATE: 6-11-02
CHKD: PLE	DATE: 8-5-02
MFG: FJP	DATE: 8-5-02
APPD: PLE	DATE: 8-7-02

CARTER NUMBER CUA7520B