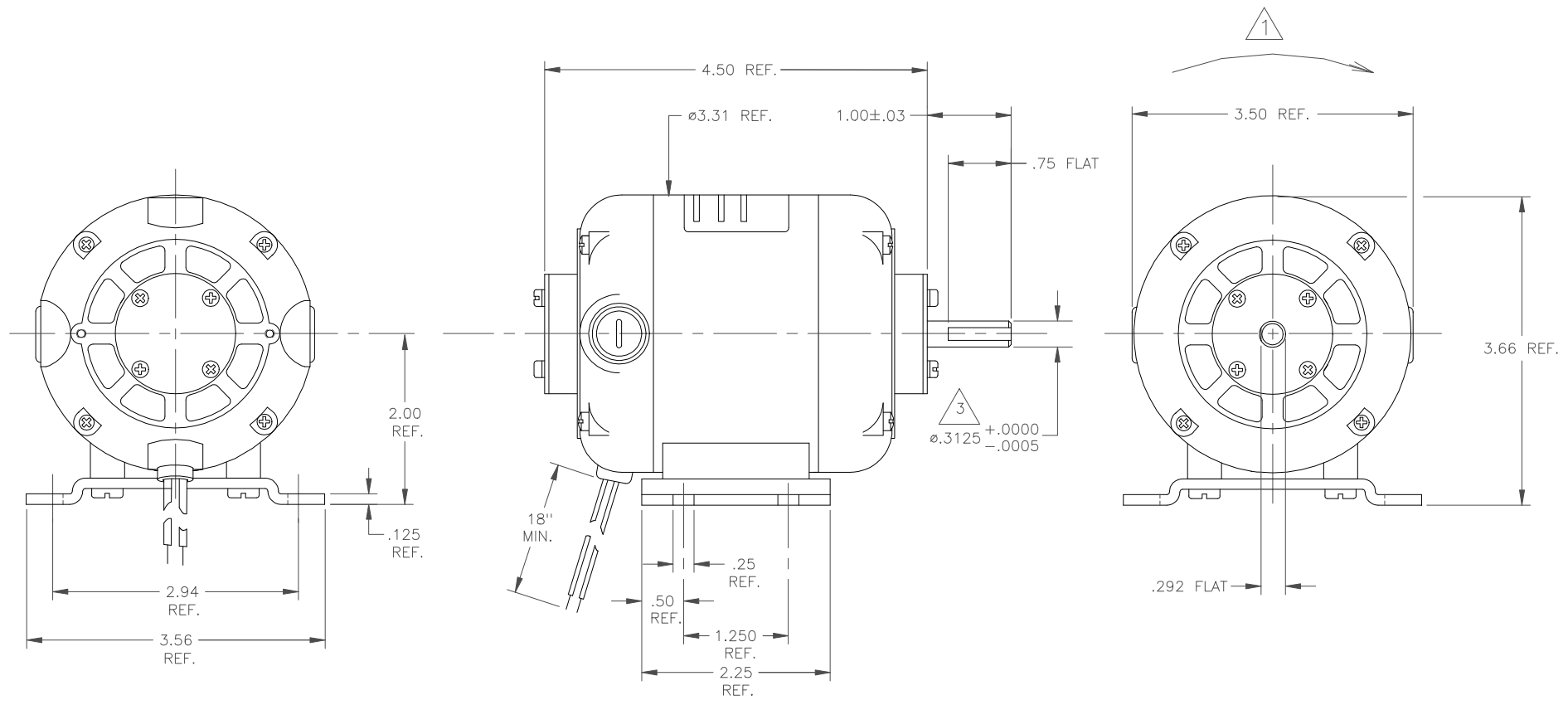


ISS.	REVISION	DATE
1	RELEASED ECO1478	2-12-01 RCS
2	ADDED PAGE 3 ECO2005	4-24-02 RCS
3	SEE PAGE 3 ECO2353	7-23-03 RCS
4	NP2-504 WAS NP2-503 ECO3071	6-14-12 RKG



CARTER MOTOR CO.  
400 S RAILROAD ST  
WARREN, IL 61087

THIS DRAWING COVERS A PROPRIETARY ITEM AND IS THE PROPERTY OF CARTER MOTOR CO. THIS DRAWING IS NOT TO BE COPIED OR USED WITHOUT APPROVAL OF CARTER MOTOR CO.

TOLERANCES UNLESS OTHERWISE SPECIFIED		MAT'L:
DECIMAL DIMS		RELEASE NO: ECO1478
TWO PLACE X.XX =	±.01	REPLACES:
THREE PLACE X.XXX =	±.005	SCALE: 1:1
FRACTIONS =	±.015	
ANGLES =	±1°	

DO NOT SCALE DRAWING—WORK TO DIMENSIONS SHOWN

TITLE: MOTOR, UNIVERSAL

DWN: RCS	DATE: 2-12-01
CHKD: PLE	DATE: 2-21-01
MFG: KEG	DATE: 2-21-01
APPD: PLE	DATE: 2-21-01

CARTER NUMBER CUA7512R