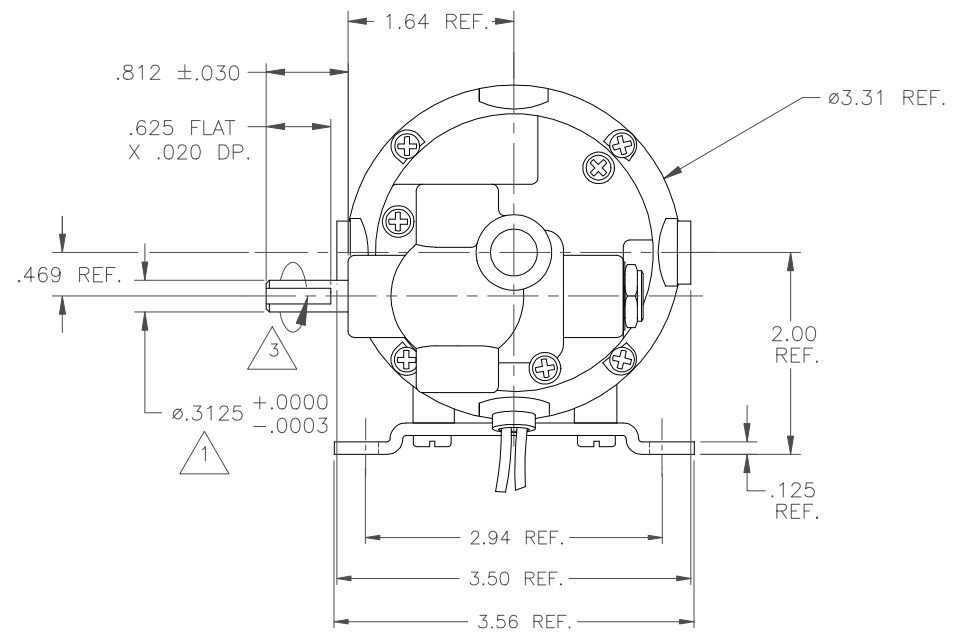
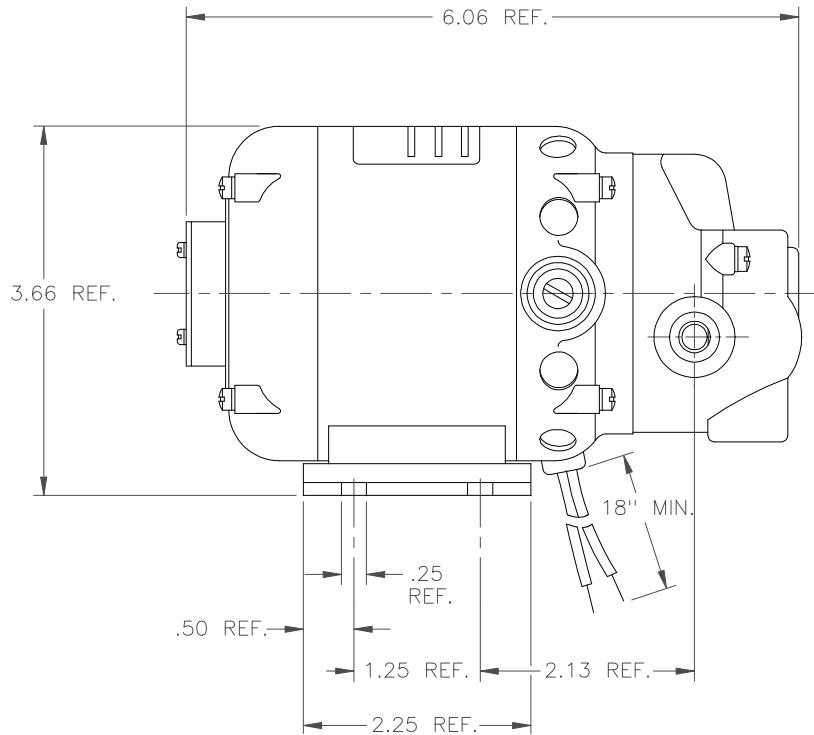


| ISS. | REVISION | DATE |
|------|--------------------------------|-----------------|
| 1 | RELEASED ECO1775 | 10-26-01 RCS |
| 2 | ADDED PAGE 3 ECO1903 | 3-26-02 RCS |
| 3 | SEE PAGE 3 ECO2322 | 5-12-03 RCS |
| 4 | SEE PAGE 3 ECO2353 | 7-23-03 RCS |
| 5 | SEE PAGE 3 ECO2372 | 9-3-03 RCS |
| 6 | NP2-504 WAS NP2-503 ECO3071 | 6-13-12 RKG |



CARTER MOTOR CO.
400 S RAILROAD ST
WARREN, IL 61087

THIS DRAWING COVERS A PROPRIETARY ITEM AND IS THE PROPERTY OF CARTER MOTOR CO. THIS DRAWING IS NOT TO BE COPIED OR USED WITHOUT APPROVAL OF CARTER MOTOR CO.

| | | |
|---------------------------------------|-------|---------------------|
| TOLERANCES UNLESS OTHERWISE SPECIFIED | | MAT'L: |
| DECIMAL DIMS | | RELEASE NO: ECO1775 |
| TWO PLACE X.XX = | ±.01 | REPLACES: |
| THREE PLACE X.XXX = | ±.005 | SCALE: 1:1 |
| FRACTIONS = | ±.015 | |
| ANGLES = | ±1° | |

DO NOT SCALE DRAWING—WORK TO DIMENSIONS SHOWN

TITLE:
GEAR MOTOR, UNIVERSAL

| | |
|-----------|----------------|
| DWN: RCS | DATE: 10-28-01 |
| CHKD: PLE | DATE: 10-30-01 |
| MFG: KEG | DATE: 11-1-01 |
| APPD: PLE | DATE: 11-1-01 |

CARTER NUMBER
CUA501R3