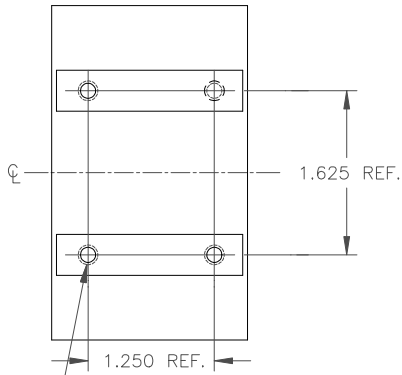
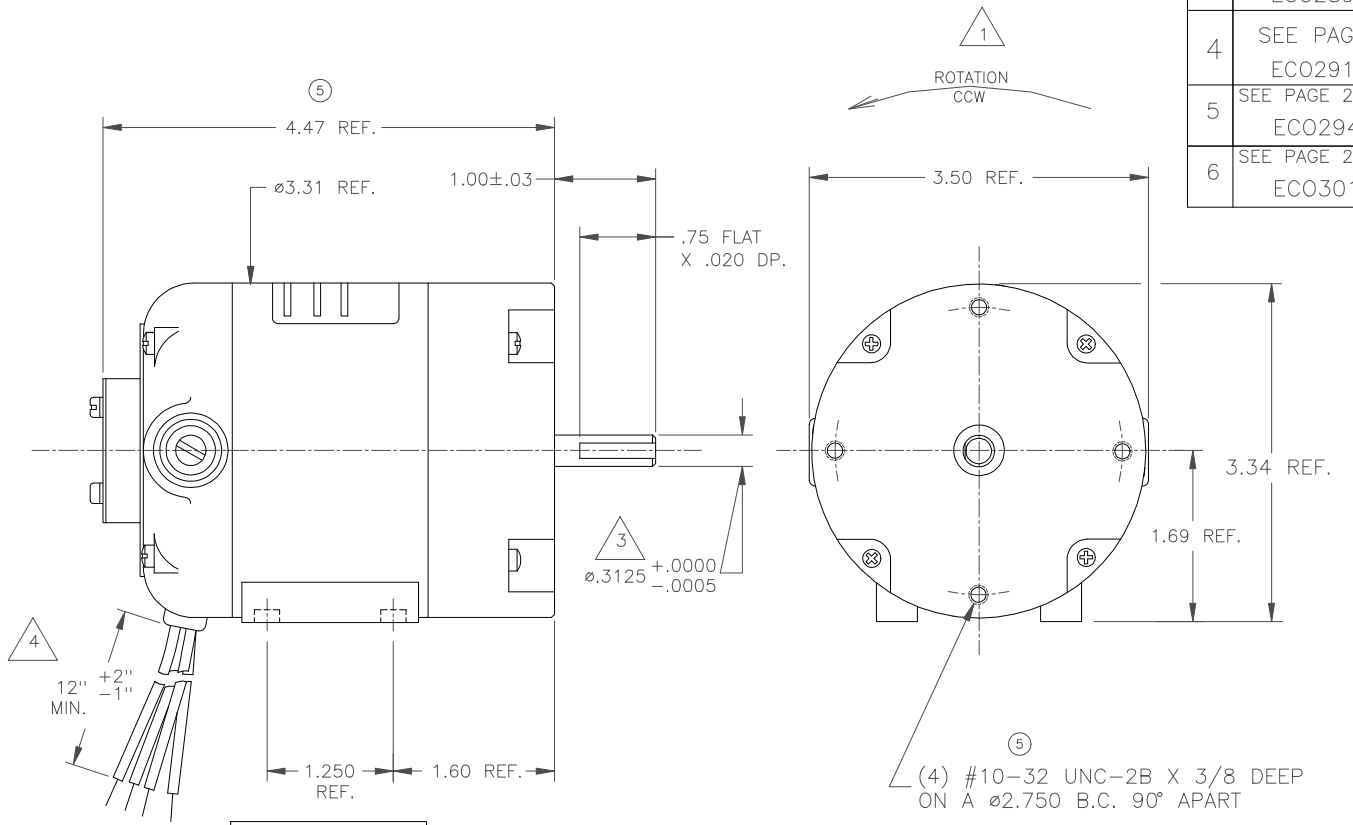
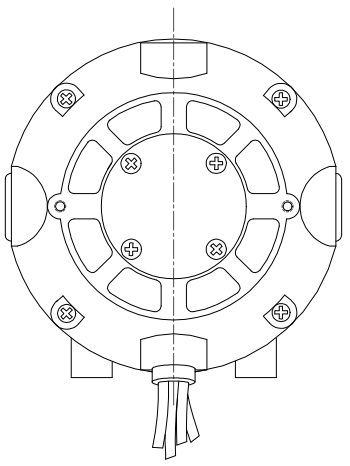


ISS.	REVISION	DATE
1	RELEASED ECO2479	4-21-04 MAC
2	SEE PAGE 2 KEG	12-23-04 MAC
3	SEE PAGE 3 ECO2899	4-8-11 KLM
4	SEE PAGE 2 ECO2913	5-6-11 KLM
5	SEE PAGE 2 ECO2946	7-7-11 KLM
6	SEE PAGE 2 & 3 ECO3016	3-22-12 KRS



(4) #10-32 UNF-2B X .375 DEEP MIN. REF.



CARTER MOTOR CO.
400 S. Railroad St.
WARREN, IL 61087

TITLE: MOTOR, SHUNT

THIS DRAWING COVERS A PROPRIETARY ITEM AND IS THE PROPERTY OF CARTER MOTOR CO. THIS DRAWING IS NOT TO BE COPIED OR USED WITHOUT APPROVAL OF CARTER MOTOR CO.

TOLERANCES UNLESS OTHERWISE SPECIFIED	MAT'L:
DECIMAL DIMS	RELEASE NO:
TWO PLACE X.XX = ±.01	REPLACES:
THREE PLACE X.XXX = ±.005	SCALE: NONE
FRACTIONS = ±.015	
ANGLES = ±1°	

DWN: MAC	DATE: 04-21-04
CHKD: RPA	DATE: 04-21-04
MFG: FJP	DATE: 04-21-04
APPD: RPA	DATE: 04-21-04

DO NOT SCALE DRAWING—WORK TO DIMENSIONS SHOWN

CARTER NUMBER CSA1840A-1