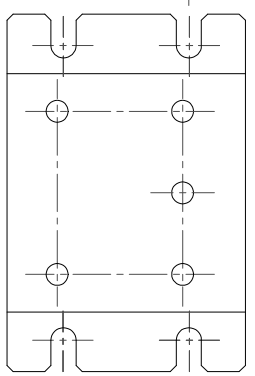
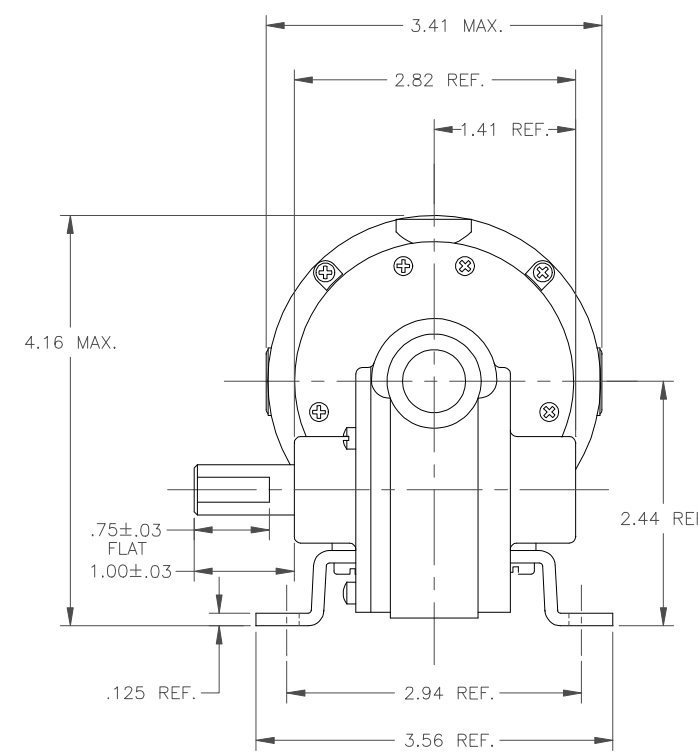
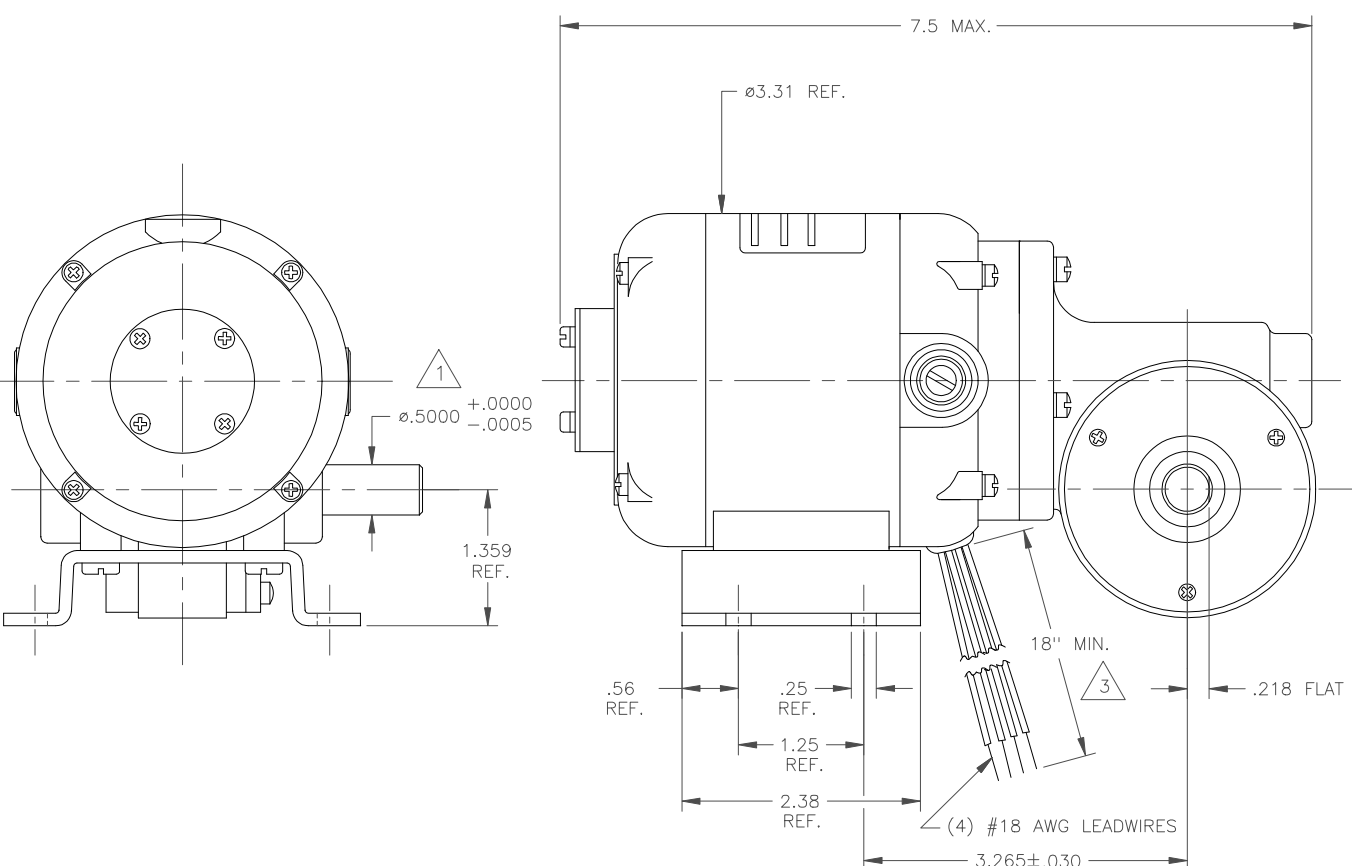


ISS.	REVISION	DATE
4	REDRAWN IN CAD, ADDED PAGE 3, ECO2092	5-17-02 RCS
5	SEE PAGE 3	7-22-03 RCS
6	SEE PAGE 3	1-16-04 RCS
7	ADD BASE DETAIL MAC	03-18-05 MAC
8	SEE PAGE 2 & 3 ECO3016	3-22-12 KRS



CARTER MOTOR CO.
400 S RAILROAD ST
WARREN, IL 61087

TITLE:
SHUNT MOTOR, GEARHEAD

DWN:	RCS	DATE:	5-22-02
CHKD:	PLE	DATE:	5-22-02
MFG:	KEG	DATE:	5-22-02
APPD:	PLE	DATE:	5-22-02

THIS DRAWING COVERS A PROPRIETARY ITEM AND IS THE PROPERTY OF CARTER MOTOR CO. THIS DRAWING IS NOT TO BE COPIED OR USED WITHOUT APPROVAL OF CARTER MOTOR CO.

TOLERANCES UNLESS OTHERWISE SPECIFIED		MAT'L:
DECIMAL DIMS		RELEASE NO: ECO-795
TWO PLACE X.XX =	±.01	REPLACES:
THREE PLACE X.XXX =	±.005	SCALE: 1:1
FRACTIONS =	±.015	
ANGLES =	±1°	

DO NOT SCALE DRAWING-WORK TO DIMENSIONS SHOWN