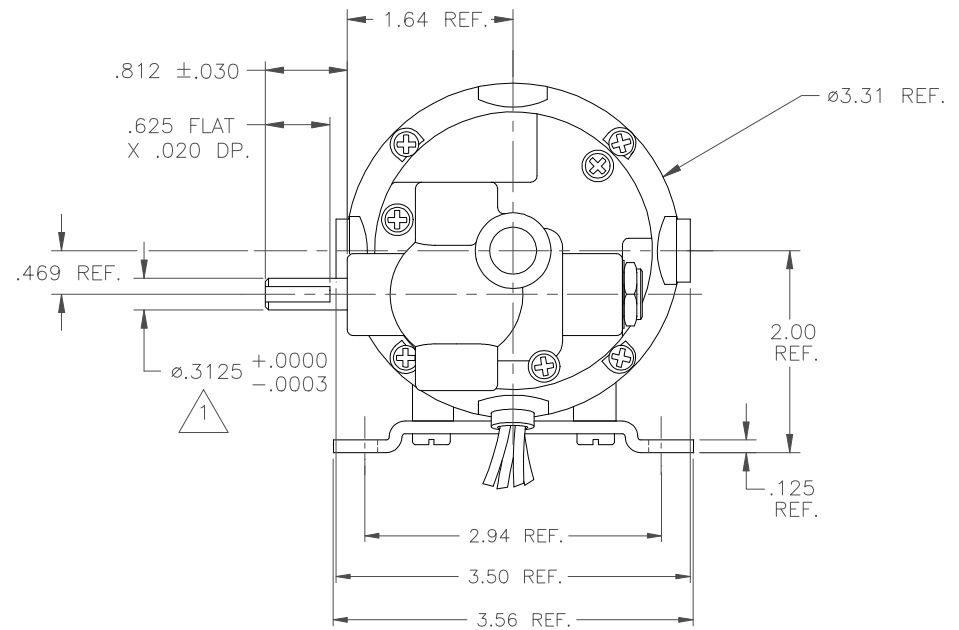
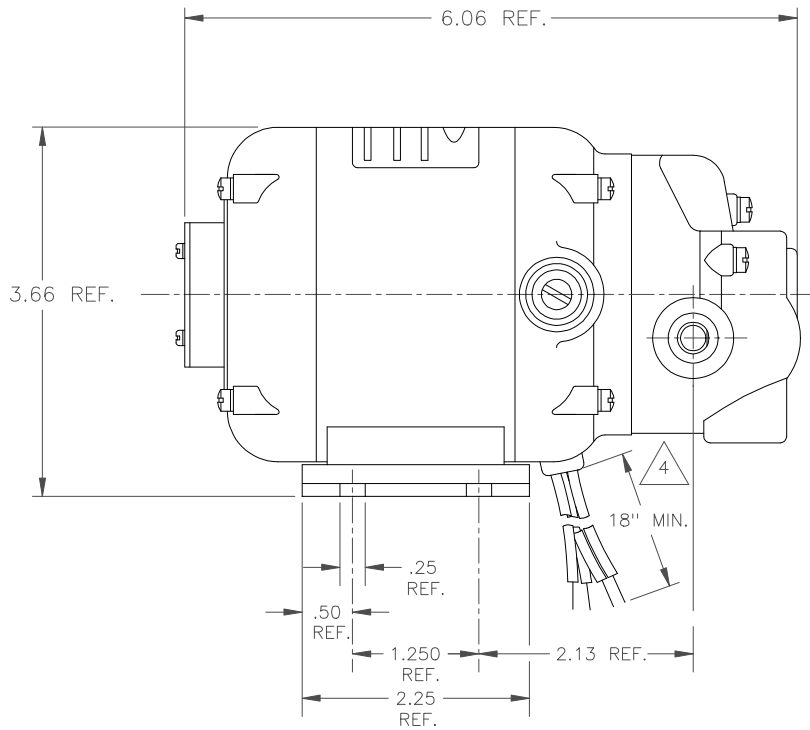


ISS.	REVISION	DATE
1	RELEASED	7-27-00 RCS
2	ADDED PAGE 3 ECO2037	4-26-02 RCS
3	SEE PAGE 3 ECO2353	7-22-03 RCS
4	SEE PAGE 3 ECO2447	1-30-04 RCS



THIS DRAWING COVERS A PROPRIETARY ITEM AND IS THE PROPERTY OF CARTER MOTOR CO. THIS DRAWING IS NOT TO BE COPIED OR USED WITHOUT APPROVAL OF CARTER MOTOR CO.

TOLERANCES UNLESS OTHERWISE SPECIFIED	MAT'L:
DECIMAL DIMS	RELEASE NO:
TWO PLACE X.XX = ±.01	REPLACES:
THREE PLACE X.XXX = ±.005	SCALE: 1:1
FRACTIONS = ±.015	
ANGLES = ±1°	

DO NOT SCALE DRAWING—WORK TO DIMENSIONS SHOWN

TITLE: GEAR MOTOR	
DWN: RCS	DATE: 7-27-00
CHKD: PLE	DATE: 4-30-02
MFG: FJP	DATE: 4-30-02
APPD: PLE	DATE: 5-1-02
CARTER NUMBER	CSA105E3