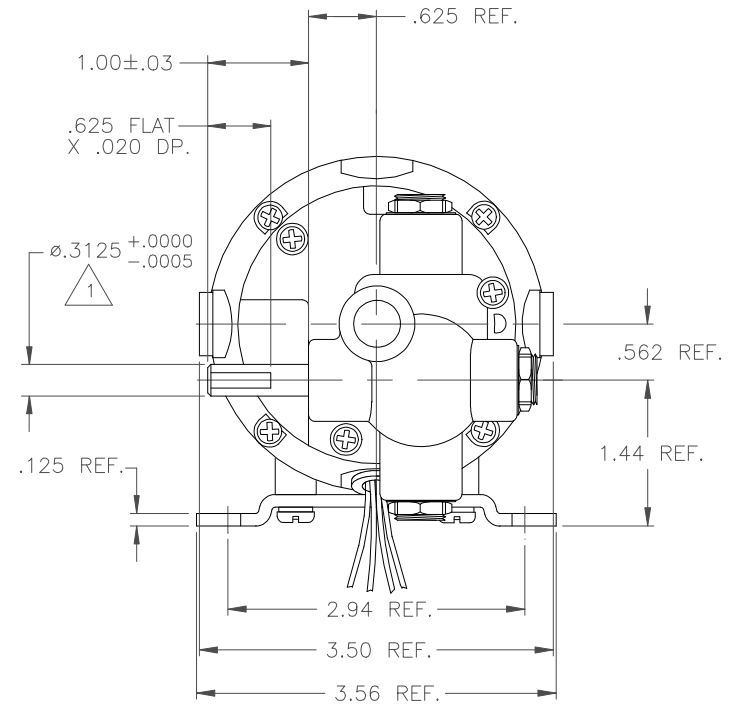
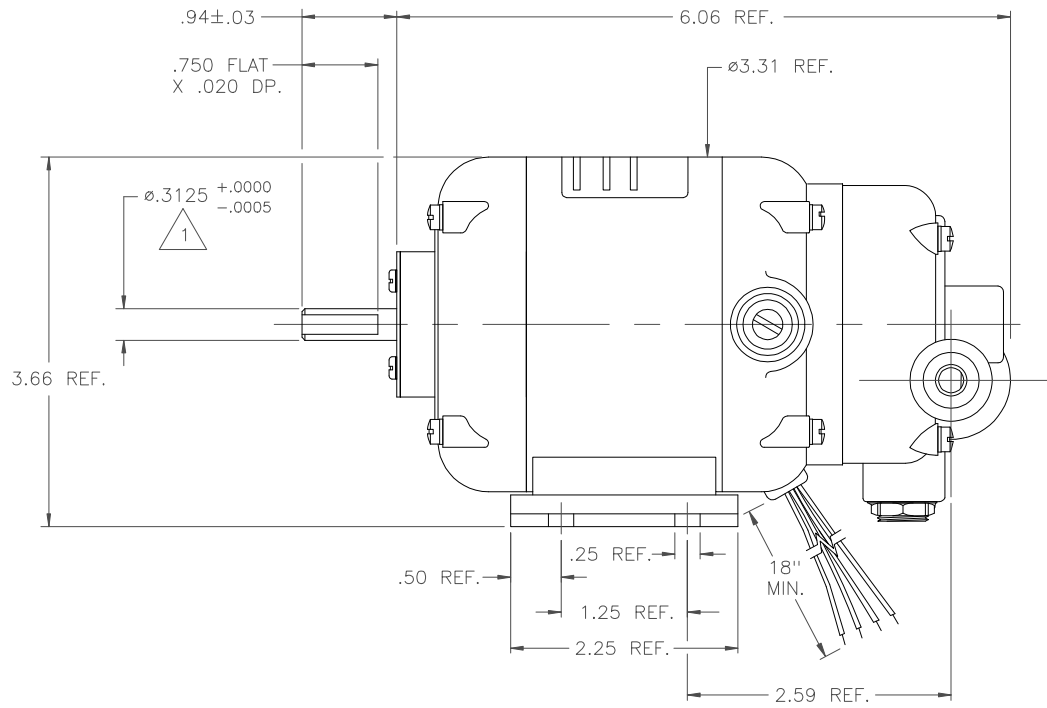


ISS.	REVISION	DATE
1	RELEASED ECO1272	12-8-99 RCS
2	ADDED PAGE 3 ECO2092	5-14-02 RCS
3	SEE PAGE 3 ECO2353	7-22-03 RCS
4	SEE PAGE 2 & 3 ECO3016	3-22-12 KRS



CARTER MOTOR CO.
400 S RAILROAD ST
WARREN, IL 61087

THIS DRAWING COVERS A PROPRIETARY ITEM AND IS THE PROPERTY OF CARTER MOTOR CO. THIS DRAWING IS NOT TO BE COPIED OR USED WITHOUT APPROVAL OF CARTER MOTOR CO.

TOLERANCES UNLESS OTHERWISE SPECIFIED	
DECIMAL DIMS	
TWO PLACE X.XX =	±.01
THREE PLACE X.XXX =	±.005
FRACTIONS =	±.015
ANGLES =	±1°

MAT'L:
RELEASE NO: ECO1272
REPLACES:
SCALE: 1:1

DO NOT SCALE DRAWING—WORK TO DIMENSIONS SHOWN

TITLE:
GEAR MOTOR, SHUNT

DWN: RCS	DATE: 12-8-99
CHKD: RFA	DATE: 12-14-99
MFG: KEG	DATE: 12-14-99
APPD: RFA	DATE: 12-14-99

CARTER NUMBER
CSA056K2