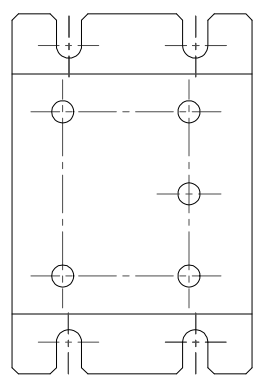
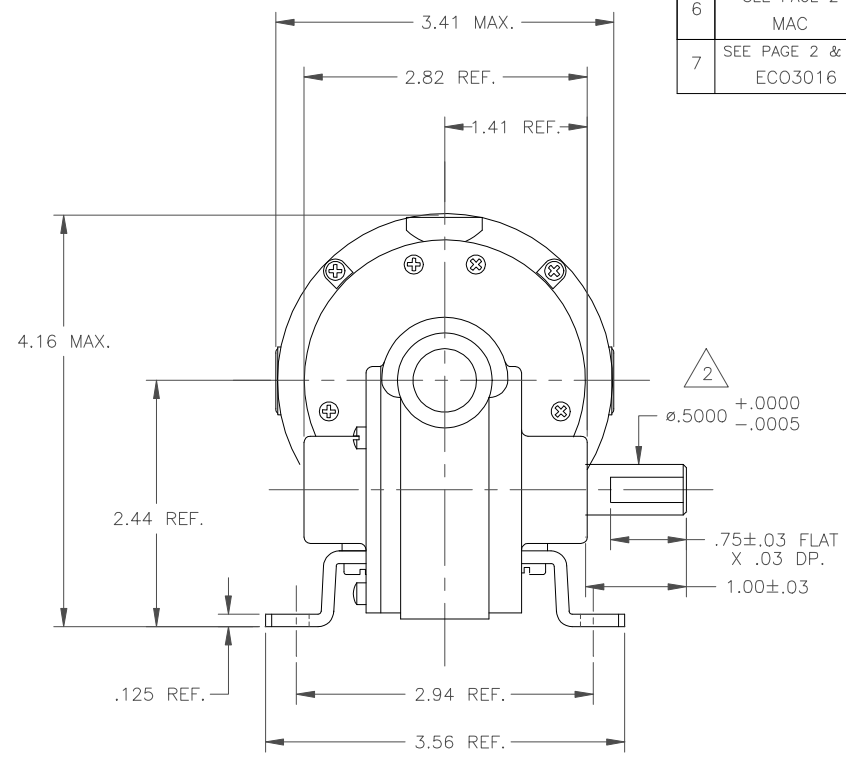
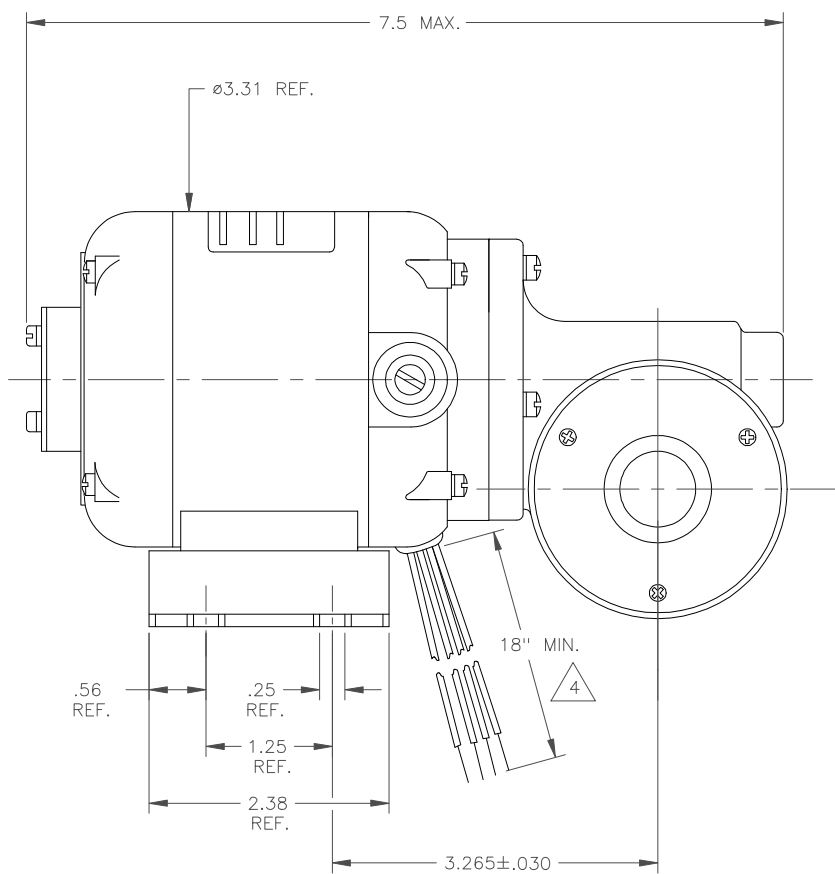


ISS.	REVISION	DATE
1	RELEASED ECO1443	1-16-01 RCS
2	ADDED PAGE 3 ECO2012	4-24-02 RCS
3	SEE PAGE 3 ECO2353	7-21-03 RCS
4	SEE PAGE 3 ECO2440	1-16-04 RCS
5	ADD BASE DETAIL MAC	03-18-05 MAC
6	SEE PAGE 2 MAC	04-26-06 MAC
7	SEE PAGE 2 & 3 ECO3016	3-22-12 KRS



CARTER MOTOR CO.
400 S RAILROAD ST
WARREN, IL 61087

THIS DRAWING COVERS A PROPRIETARY ITEM AND IS THE PROPERTY OF CARTER MOTOR CO. THIS DRAWING IS NOT TO BE COPIED OR USED WITHOUT APPROVAL OF CARTER MOTOR CO.

TOLERANCES UNLESS OTHERWISE SPECIFIED		MAT'L:
DECIMAL DIMS		RELEASE NO: ECO1443
TWO PLACE X.XX =	±.01	REPLACES:
THREE PLACE X.XXX =	±.005	SCALE: 1:1
FRACTIONS =	±.015	
ANGLES =	±1°	

TITLE: 60:1 RATIO
MOTOR, GEARHEAD

DWN: RCS	DATE: 1-16-01
CHKD: PLE	DATE: 1-18-01
MFG: KEG	DATE: 1-19-01
APPD: PLE	DATE: 1-19-01

CARTER NUMBER
CSA0313C5

DO NOT SCALE DRAWING—WORK TO DIMENSIONS SHOWN