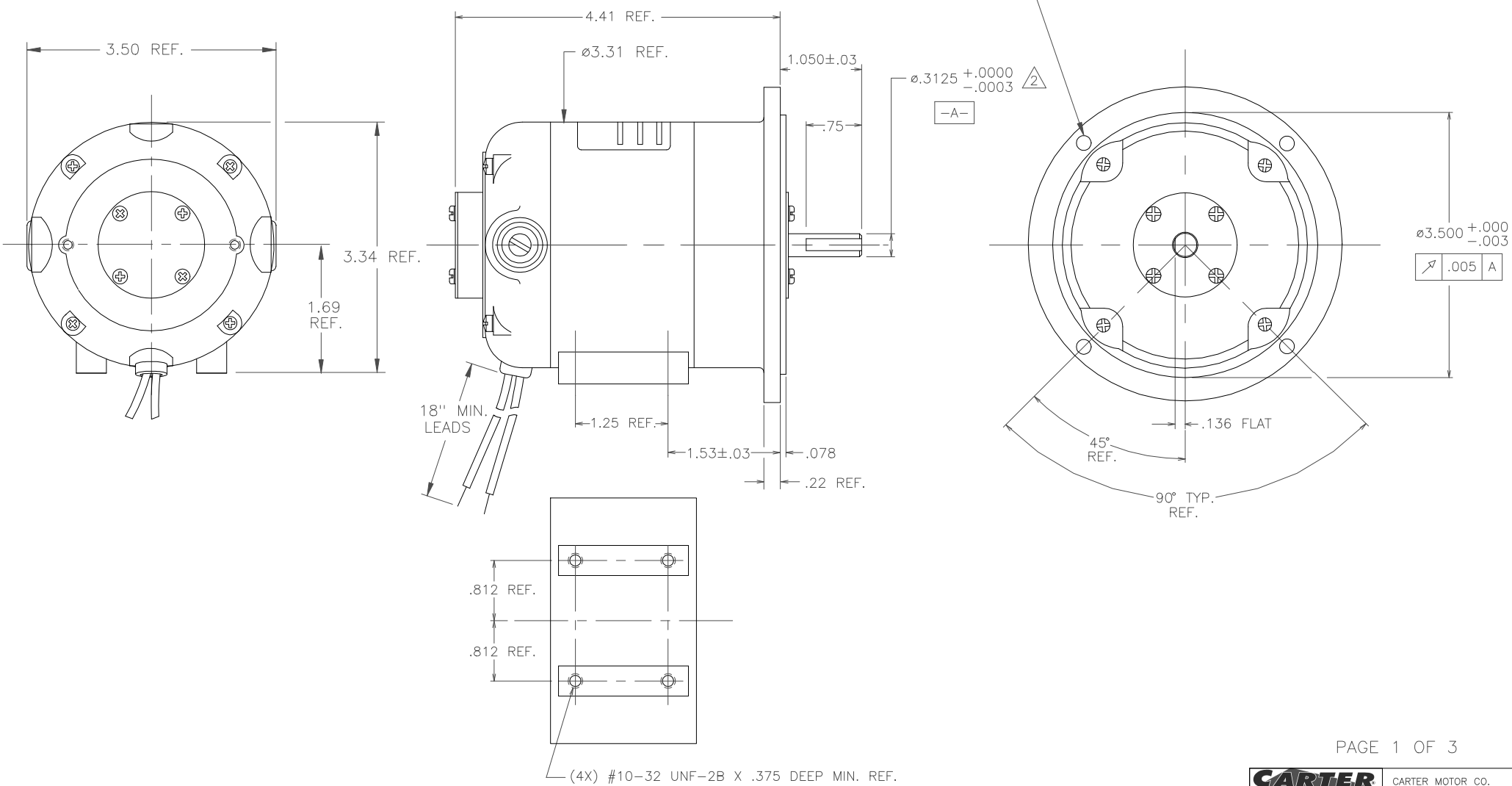


ISS.	REVISION	DATE
1	RELEASED ECO1530	3-30-01 RCS
2	ADDED PAGE 3 ECO1990	4-23-02 RCS
3	REMOVED ROTATION ARROW, ADDED NOTES 1 & 2 FROM PAGE 2 ECO2459	3-24-04 MAC
4	SEE PAGE 2 ECO2746	03-24-08 MAC
5	SEE PAGE 2 & 3 ECO3016	3-15-12 KRS



NOTES:

1 ROTATION - REVERSIBLE

$\Delta 2$ T.I.R. .002 OR LESS.



THIS DRAWING COVERS A PROPRIETARY ITEM AND IS THE PROPERTY OF CARTER MOTOR CO. THIS DRAWING IS NOT TO BE COPIED OR USED WITHOUT APPROVAL OF CARTER MOTOR CO.	
TOLERANCES UNLESS OTHERWISE SPECIFIED	MAT'L:
DECIMAL DIMS	RELEASE NO: ECO1530
TWO PLACE X.XX = $\pm .01$	REPLACES:
THREE PLACE X.XXX = $\pm .005$	SCALE: NONE
FRACTIONS = $\pm .015$	
ANGLES = $\pm 1^\circ$	

TITLE: PM MOTOR, UNIVERSAL	
DWN: RCS	DATE: 3-30-01
CHKD: PLE	DATE: 4-2-01
MFG: KEG	DATE: 4-2-01
APPD: PLE	DATE: 4-2-01
CARTER NUMBER	CPA5020F