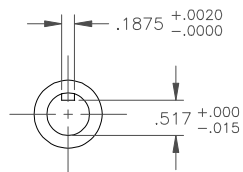
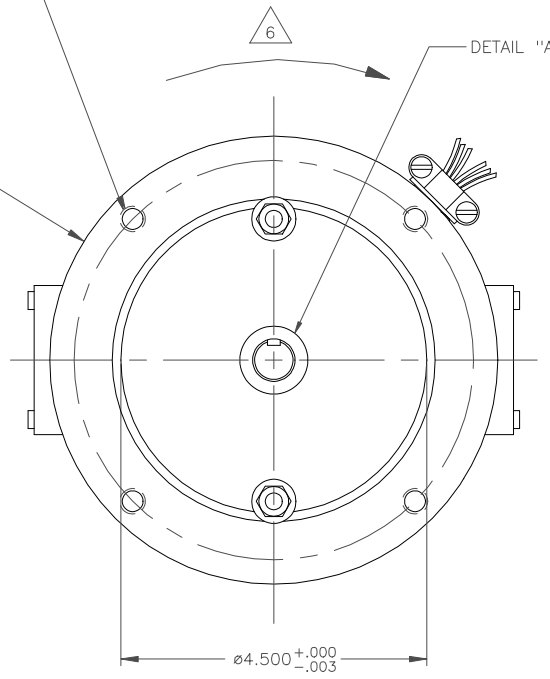
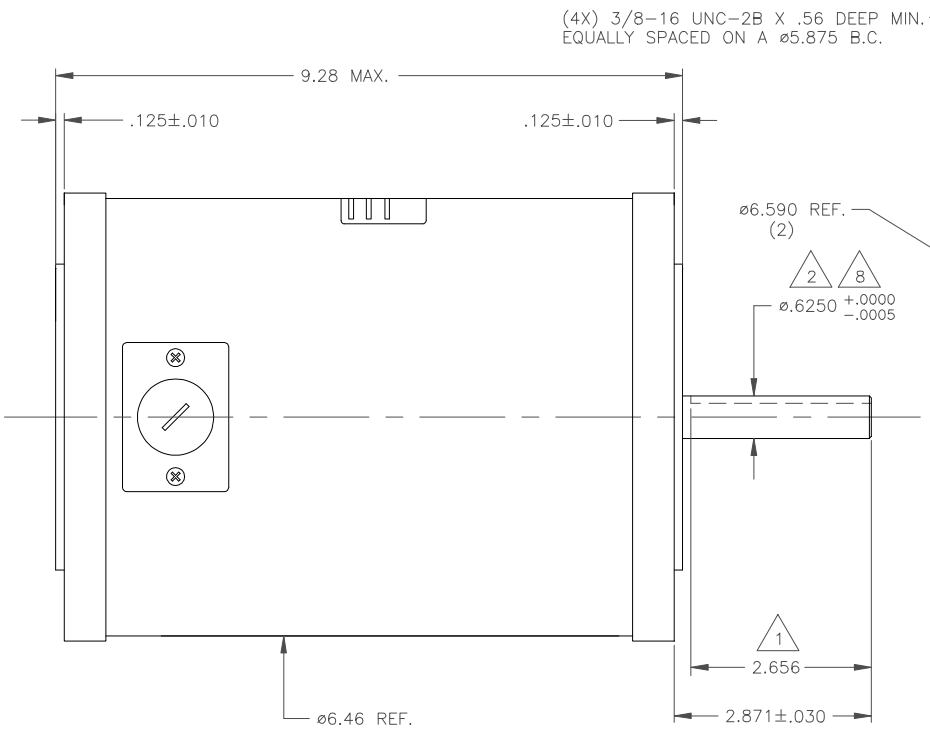
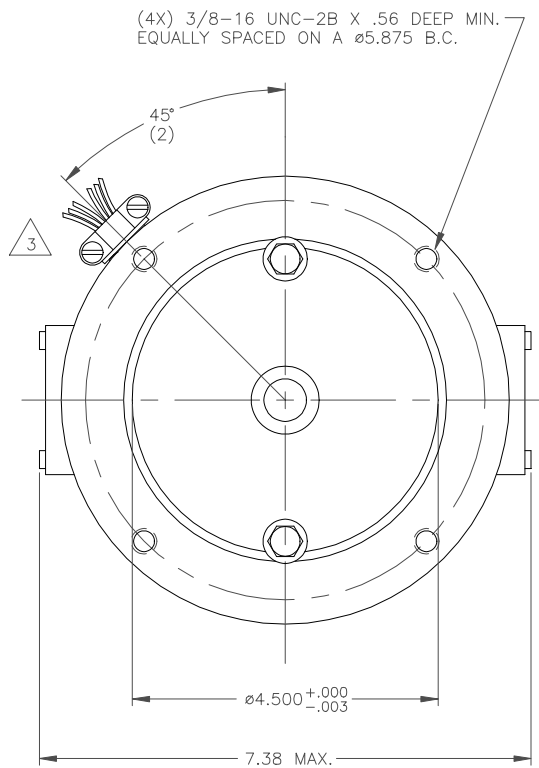


ISS.	REVISION	DATE
11	SEE PAGE 3 ECO2403	10-28-03 RCS
12	SEE PAGE 2 & 3 ECO3016	3-8-12 KRS

ISS.	REVISION	DATE
6	REDRAWN & REVISED TO THRU-BOLTS ECO1212	7-15-99 RCS
7	SEE PAGE 2	5-26-00 RCS
8	SEE PAGE 2 ECO1731	10-3-01 RCS
9	ADDED PAGE 3 ECO2092	5-21-02 RCS
10	SEE PAGE 3 ECO2335	6-12-03 RCS



DETAIL "A"

SAFETRAN (24 V)



CARTER MOTOR CO.  
400 S. Railroad St.  
WARREN, IL 61087

THIS DRAWING COVERS A PROPRIETARY ITEM AND IS THE PROPERTY OF CARTER MOTOR CO. THIS DRAWING IS NOT TO BE COPIED OR USED WITHOUT APPROVAL OF CARTER MOTOR CO.

TOLERANCES UNLESS OTHERWISE SPECIFIED		MATERIAL	
DECIMAL DIMS			
TWO PLACE X.XX =	±.01	RELEASE NO:	ECO1020
THREE PLACE X.XXX =	±.005	REPLACES:	
FRACTIONS =	±.015	SCALE:	NONE
ANGLES =	±1°		

DO NOT SCALE DRAWING-WORK TO DIMENSIONS SHOWN

TITLE:  
MOTOR, UNIVERSAL

DWN:	RCS	DATE:	9-25-98
CHKD:	RFA	DATE:	10-1-98
MFG:	KEG	DATE:	10-7-98
APPD:	RFA	DATE:	10-15-98

CARTER NUMBER 6630-4071-0002