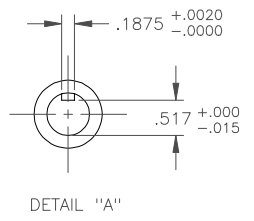
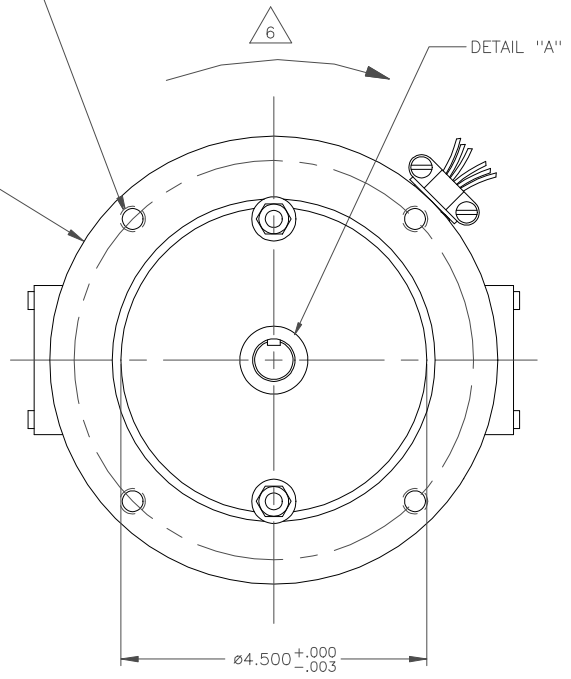
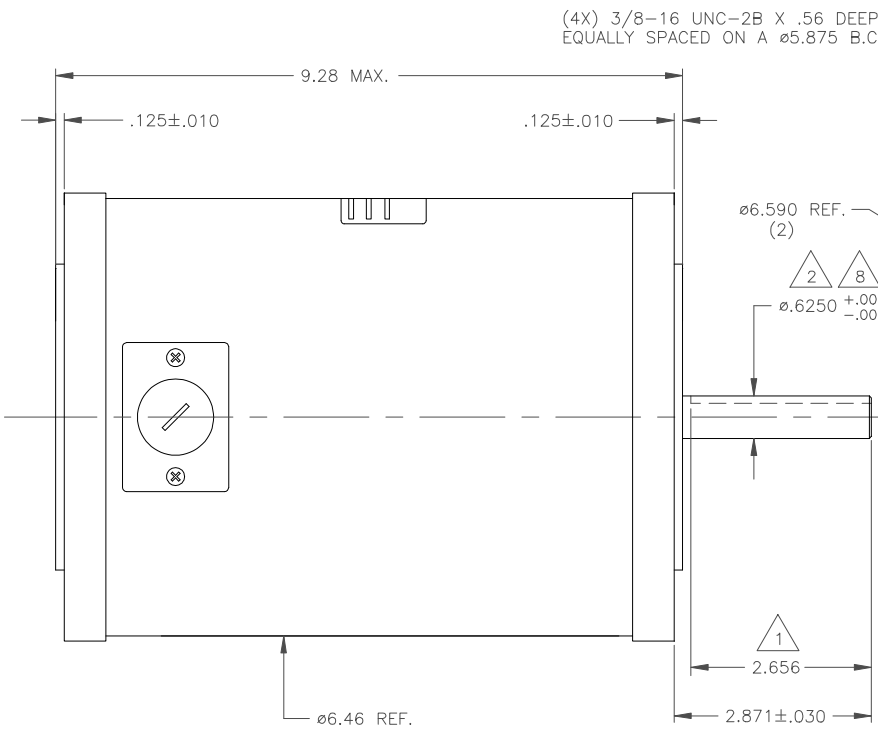
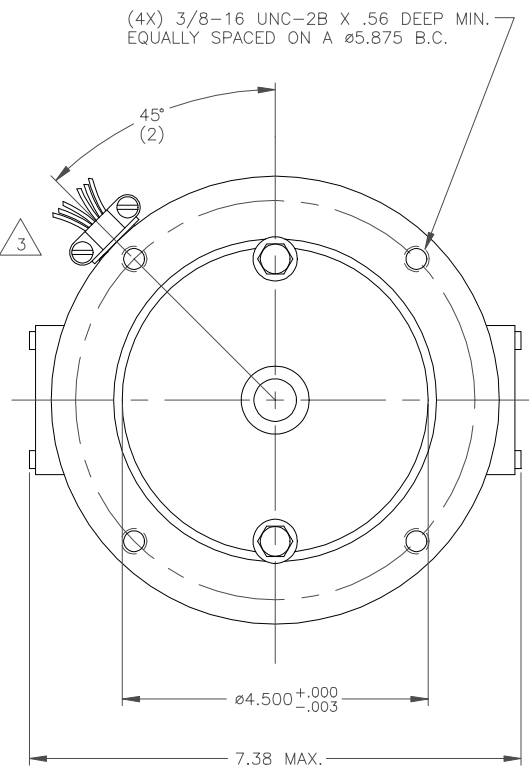


ISS.	REVISION	DATE
1	RELEASED ECO1787	11-8-01 RCS
2	ADDED PAGE 3 ECO2092	5-21-02 RCS
3	SEE PAGE 3 ECO2335	6-12-03 RCS
4	SEE PAGE 3 ECO2403	10-28-03 RCS
5	SEE PAGE 2 & 3 ECO3016	3-8-12 KRS



SAFETRAN (24 V)



CARTER MOTOR CO.
400 S. Railroad St.
WARREN, IL 61087

THIS DRAWING COVERS A PROPRIETARY ITEM AND IS THE PROPERTY OF CARTER MOTOR CO. THIS DRAWING IS NOT TO BE COPIED OR USED WITHOUT APPROVAL OF CARTER MOTOR CO.	
TOLERANCES UNLESS OTHERWISE SPECIFIED	MAT'L:
DECIMAL DIMS	RELEASE NO: ECO1787
TWO PLACE X.XX = ±.01	REPLACES:
THREE PLACE X.XXX = ±.005	SCALE: NONE
FRACTIONS = ±.015	
ANGLES = ±1°	

DO NOT SCALE DRAWING-WORK TO DIMENSIONS SHOWN

TITLE: MOTOR, UNIVERSAL	
DWN: RCS	DATE: 11-8-01
CHKD: PLE	DATE: 11-8-01
MFG: KEG	DATE: 11-9-01
APPD: PLE	DATE: 11-9-01
CARTER NUMBER	6630-4071-00021