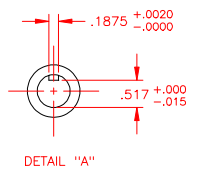
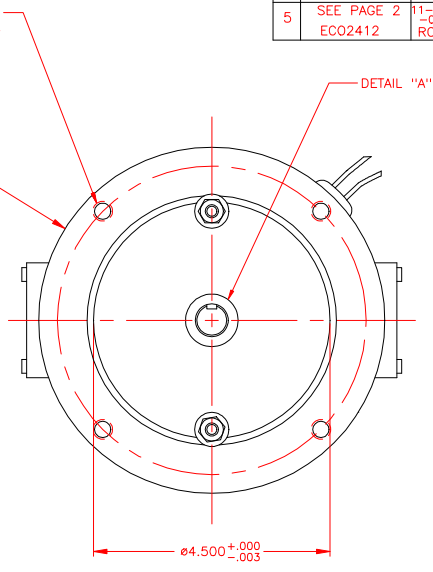
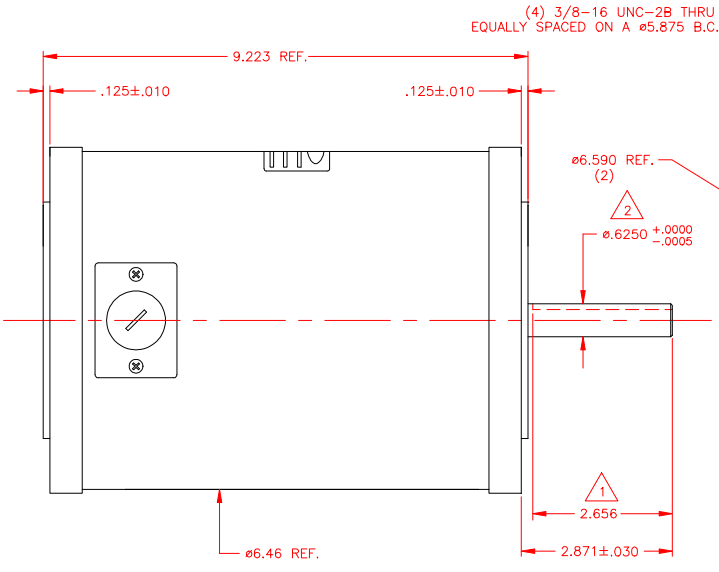
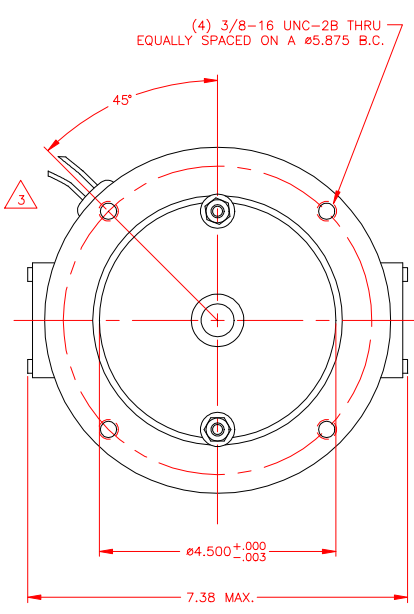


ISS.	REVISION	DATE	ISS.	REVISION	DATE
6	SEE PAGE 3 CAH	02-26-07 MAC	1	RELEASED ECO2219	11-25-02 RCS
			2	SEE PAGE 3 ECO2335	6-32-03 RCS
			3	REVISED STRAIN RELIEF BUSHING ECO2350	7-16-03 RCS
			4	SEE PAGE 3 ECO2403	10-28-03 RCS
			5	SEE PAGE 2 ECO2412	11-14-03 RCS



THIS DRAWING COVERS A PROPRIETARY ITEM AND IS THE PROPERTY OF CARTER MOTOR CO. THIS DRAWING IS NOT TO BE COPIED OR USED WITHOUT APPROVAL OF CARTER MOTOR CO.

TOLERANCES UNLESS OTHERWISE SPECIFIED

DECIMAL DIMS		MAT'L:	
TWO PLACE X.XX =	±.01	RELEASE NO:	ECO2219
THREE PLACE X.XXX =	±.005	REPLACES:	
FRACTIONS =	±.015	SCALE:	1:1
ANGLES =	±1°		

DO NOT SCALE DRAWING—WORK TO DIMENSIONS SHOWN

TITLE: 56 FRAME MOTOR, PM

DWN:	RCS	DATE:	11-25-02
CHKD:	RPA	DATE:	1-17-03
MFG:	FJP	DATE:	1-17-03
APPD:	RPA	DATE:	1-17-03

CARTER NUMBER 5602-01