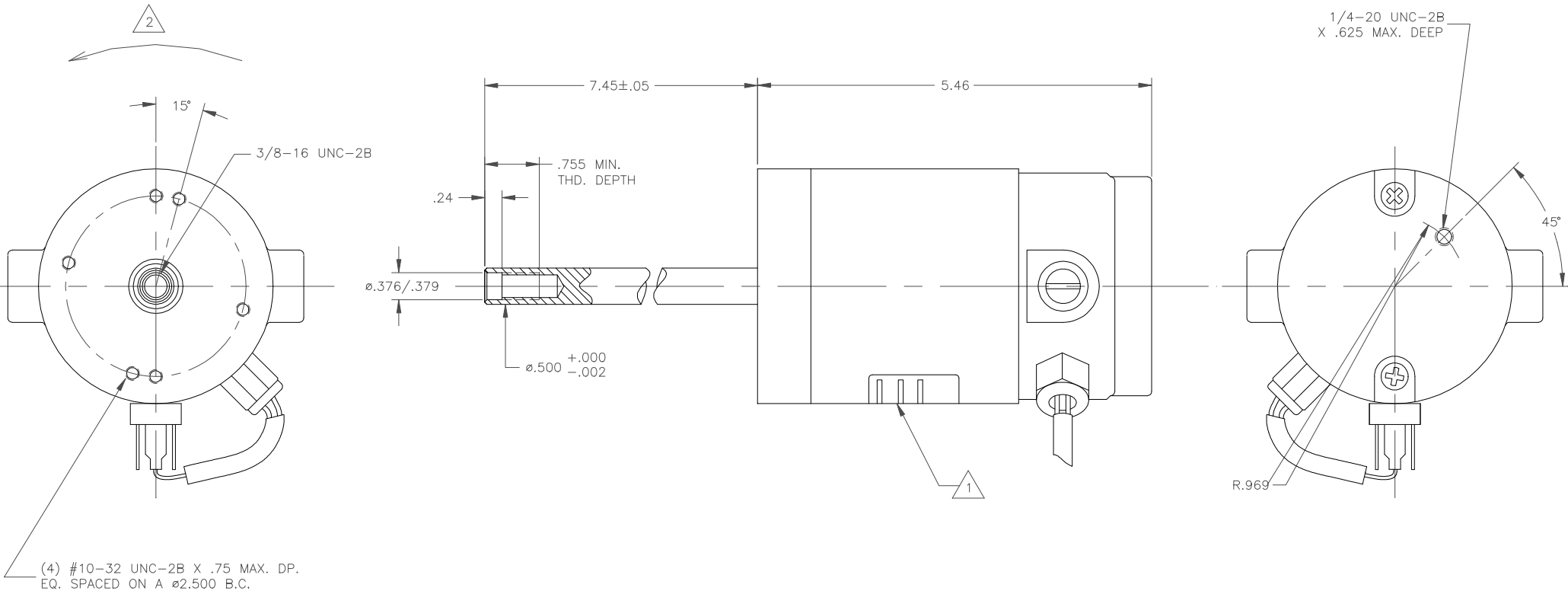


ISS.	REVISION	DATE
1	RELEASED ECO2140	7-15-02 RCS
2	SEE PAGE 2 FJP	01-13-05 MAC
3	SEE PAGE 3 ECO2991	12-9-11 KLM
4	NP2-504 WAS NP2-503 ECO3071	6-25-12 RKG
5	SEE PAGE 3 ECO3152	5-6-15 KJP



K-WAY



CARTER MOTOR CO.
400 S RAILROAD ST
WARREN, IL 61087

THIS DRAWING COVERS A PROPRIETARY ITEM AND IS THE PROPERTY OF CARTER MOTOR CO. THIS DRAWING IS NOT TO BE COPIED OR USED WITHOUT APPROVAL OF CARTER MOTOR CO.

TOLERANCES UNLESS OTHERWISE SPECIFIED		MAT'L:
DECIMAL DIMS		RELEASE NO: ECO2140
TWO PLACE X.XX =	$\pm .01$	REPLACES:
THREE PLACE X.XXX =	$\pm .005$	SCALE: 1:1
FRACTIONS =	$\pm .015$	
ANGLES =	$\pm 1^\circ$	

DO NOT SCALE DRAWING—WORK TO DIMENSIONS SHOWN

TITLE:
MAGNUM, PM MOTOR

DWN: PLE	DATE: 7-3-02
CHKD: PLE	DATE: 9-13-02
MFG: FJP	DATE: 9-13-02
APPD: RPA	DATE: 9-16-02
CARTER NUMBER	32502-08