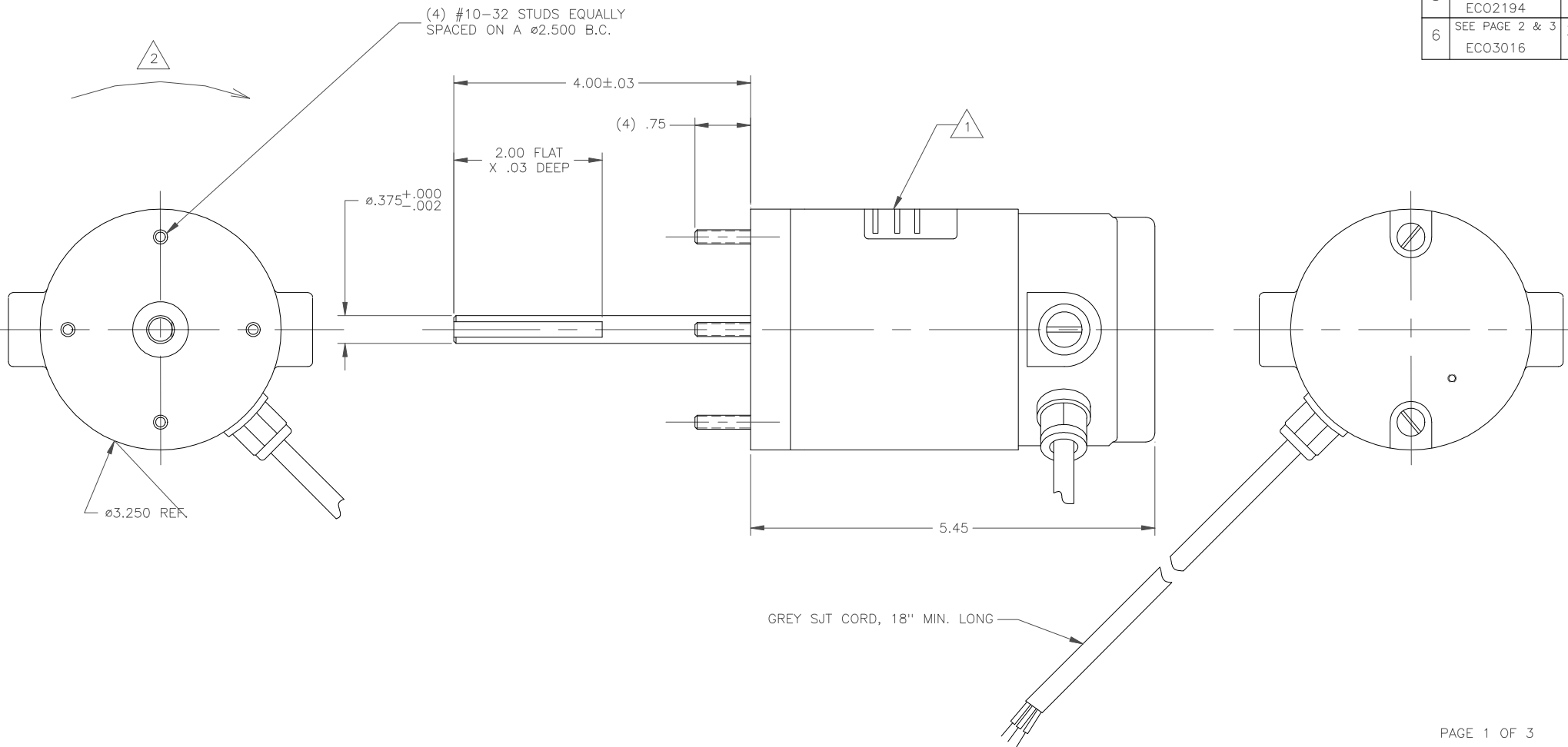


ISS.	REVISION	DATE
1	RELEASED ECO1702	8-28-01 RCS
2	REVISED SHAFT & FRONT END BELL. ECO1721	9-24-01 RCS
3	ADDED PAGE 3 ECO1958	4-17-02 RCS
4	32501-04-2 WAS 3333-2001-0004-2 ECO2038	4-26-02 RCS
5	5.45 WAS 5.34 ECO2194	9-25-02 RCS
6	SEE PAGE 2 & 3 ECO3016	3-1-12 KRS



AIR CYCLE CORP.



CARTER MOTOR CO.
400 S RAILROAD ST
WARREN, IL 61087

THIS DRAWING COVERS A PROPRIETARY ITEM AND IS THE PROPERTY OF CARTER MOTOR CO. THIS DRAWING IS NOT TO BE COPIED OR USED WITHOUT APPROVAL OF CARTER MOTOR CO.

TOLERANCES UNLESS OTHERWISE SPECIFIED	MAT'L:
DECIMAL DIMS	RELEASE NO: ECO1702
TWO PLACE X.XX = ±.01	REPLACES:
THREE PLACE X.XXX = ±.005	SCALE: 1:1
FRACTIONS = ±.015	
ANGLES = ±1°	

DO NOT SCALE DRAWING—WORK TO DIMENSIONS SHOWN

TITLE:
MAGNUM, PM MOTOR

DWN: RCS	DATE: 8-28-01
CHKD: PLE	DATE: 8-28-01
MFG: KEG	DATE: 8-30-01
APPD: PLE	DATE: 8-30-01
CARTER NUMBER	32501-04-2