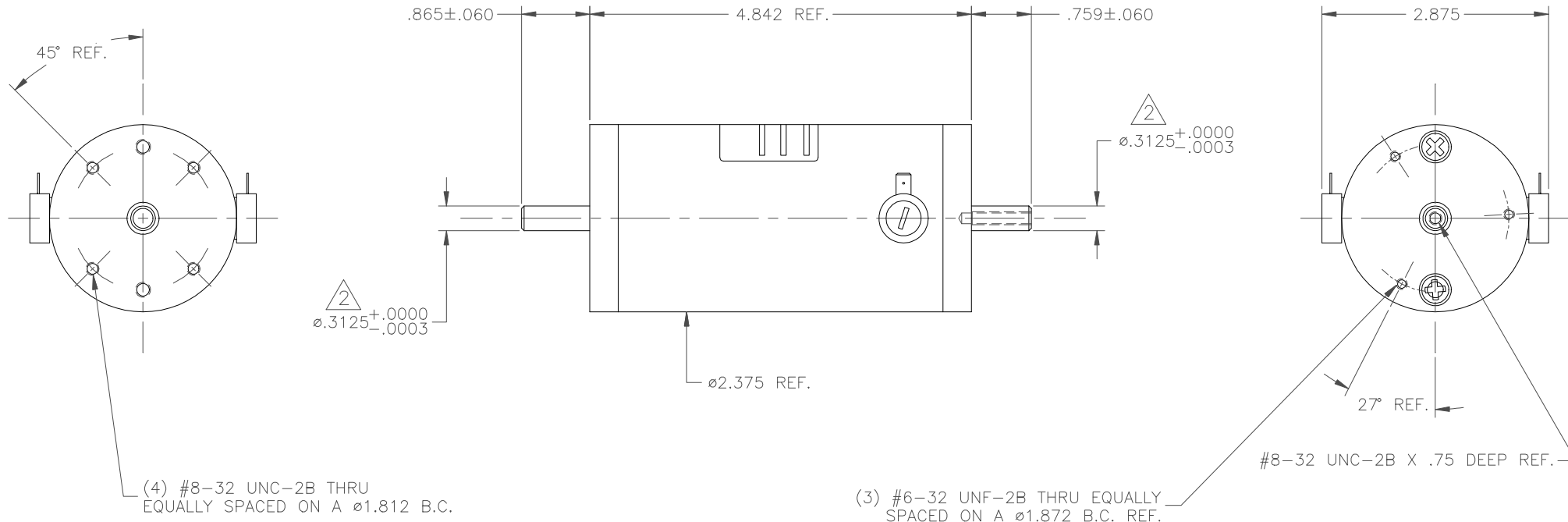


ISS.	REVISION	DATE
1	PRELIMINARY ECO2231	1-14-03 RCS
2	SEE PAGE 2 & 3 ECO3016	2-23-12 KRS



CARTER MOTOR CO.
400 S RAILROAD ST
WARREN, IL 61087

TITLE: 25 MAGNUM PM MOTOR
W/DBL. SHAFT EXT., 24 VDC

THIS DRAWING COVERS A PROPRIETARY ITEM AND IS THE PROPERTY OF
CARTER MOTOR CO. THIS DRAWING IS NOT TO BE COPIED OR USED WITHOUT
APPROVAL OF CARTER MOTOR CO.

TOLERANCES UNLESS OTHERWISE SPECIFIED		MAT'L:
DECIMAL DIMS		RELEASE NO: ECO2231
TWO PLACE X.XX =	±.01	REPLACES:
THREE PLACE X.XXX =	±.005	SCALE: 1:1
FRACTIONS =	±.015	
ANGLES =	±1°	

DWN: RCS	DATE: 1-14-02
CHKD:	DATE:
MFG:	DATE:
APPD:	DATE:
CARTER NUMBER	2502-05